

MODULAR
solutions™

CASEGOODS

Price List January 1, 2010

VIKING

TERMS AND CONDITIONS

ORDERING INFORMATION:

Call customer service at 1-800-328-8385, (952) 469-3405 or FAX (952) 469-4503. You will need to know the model number, color (if it is an option) and quantity to place your order.

CANCELLATIONS AND CHANGES:

Cancellations and changes must be made within 24 hours after receipt of initial order. Any changes or cancellations after that time may be subject to a 15% cancellation charge. Custom products may be subject to work-in-process charges as well as any cost of materials incurred for the order in addition to the cancellation charge.

DAMAGE AND CLAIMS:

All merchandise has been carefully inspected and packed prior to shipment. Upon receipt of an order, the following procedures should be followed. Under ICC regulations, claims reported after 15 days may be refused so please follow the guidelines below.

When a carrier arrives:

- Inspect all cartons for damage and verify carton quantity.
- Do not refuse merchandise damaged in transit.
- Record damages and/or shortages on the freight bill.
- Sign only for the number of items you receive.
- If you give the delivering carrier a signed receipt for a shipment without noting problems or discrepancies, the carrier is relieved of further responsibility.

If product is found damaged upon opening the cartons:

- Notify the carrier at once and request an inspection.
- Confirm the request in writing within 15 days of date of delivery.
- Hold cartons and units for carrier's inspection.

FREIGHT:

All products are shipped F.O.B. Lakeville, Minnesota or St. Croix Falls, Wisconsin. Freight quotes are estimates only, we are not responsible for actual charges in excess of an estimate.

TERMS:

Net 30 days from date of invoice, past due amounts are subject to an 18% (Eighteen percent) annual finance charge. The order acknowledgment is intended to be the final expression of the contract between the Customer and Viking regarding the products that are included in the confirmation.

PRICES:

All prices shown are U.S. dollar List Prices. These prices do not include charges for freight, installation, taxes, etc. All prices are subject to change without notice.

RETURNS:

Returns must have prior authorization. To request a return, call or write our Customer Service Department. Once approved, your return will be assigned an authorization number and you will receive further instructions. A copy of the authorization must accompany the return or it will be refused. All returns must be shipped freight prepaid. If any excessive damage is evident, credit will be determined by market value. Returns must be made in original cartons with proper inner packing.

All return requests must be made within 60 days from the date of invoice, and products must be returned within 30 days from the date of return authorization.

STORAGE:

If a dealer or customer refuses to, or is unable to accept delivery of any shipment, Viking Acoustical will transfer the shipment to storage. The dealer or customer must pay transfer and storage charges.

RESTOCKING:

A minimum restocking charge of 25% will be charged for all returns to cover the cost of inspection, refurbishing, and packaging.

MEASUREMENTS AND WEIGHTS:

All measurements and weights are approximate and should be used only as a guide, and are subject to change without notice. Viking Acoustical accepts no responsibility for final charges.

PRODUCT SPECIFICATIONS:

The specifications included in this price list reflect the information available at time of printing. Viking Acoustical reserves the right to make changes in style, dimensions, or specifications of any product without prior notice and without incurring obligation for these changes.

WARRANTY:

Viking Acoustical Corporation warrants its products to be free from defects in materials or workmanship for a Period of five years from date of shipment. This warranty excludes damage resulting from shipment, storage, alteration or misuse of the product. During the warranty period, Viking will repair or replace free of charge any standard Viking product, which has been proven to be defective. Written notice of the defect must be given to Viking within the applicable warranty period. No credit will be given for any repairs to damaged or defective items without the approval of Viking. Viking reserves the right to require that any such item be returned to the factory in adequate packaging for inspection.

THIS WARRANTY IS THE ONLY WARRANTY MADE BY VIKING, AND ALL OTHER WARRANTIES, INCLUDING IMPLIED WARRANTIES OF MARKETABILITY AND FITNESS FOR A PARTICULAR PURPOSE ARE HEREBY DISCLAIMED. SHIPPING DAMAGE AND/OR DAMAGE INCURRED DURING INSTALLATION, REPAIR OR REPLACEMENT AS WELL AS DAMAGE RESULTING FROM MISUSE, NEGLIGENCE, ACCIDENT OR ALTERATIONS ARE EXCLUDED AND WILL NOT BE PAID.

CUSTOM FURNITURE & SIZES UPCHARGES:

Custom products and sizes not found in this price list may be produced if approved by Viking. Each item must be processed as a Request for Quotation (RFQ) to determine the materials and to design the cutting and drilling specifications in the manufacturing process.

Each custom product will have an upcharge up to \$100.00 to develop the RFQ plus any addition material costs required to produce the item.

MODULAR SOLUTIONS

TABLE OF CONTENTS

CATEGORY	PAGE
<u>INFORMATION</u>	
Terms & Conditions	2
How To Order	4
Specifications	5
Brochure Layouts	36 - 38
<u>ACCESSORIES</u>	
Accessories – Ergonomic	35
Accessories – Furniture	34
Tack Panels	26 - 27
Privacy Panels	28
<u>BRIDGES & RETURNS</u>	
Bridge Units	13
Corner Units	14
Returns	16 - 17
<u>DESKS & TABLES</u>	
Adjustable Tables	32
Bow Front Desks	7
Double Pedestal Desks	6
Credenzas	7 - 8
Curved Table Units	15
Peninsula Tables & Extensions	18 - 20
Reception Desks	33
Single Pedestal Desks	11 - 12
Tables, rectangular	31
Tables, round	31
Tables, side	31
Work Tables	9 - 10
<u>FILES & STORAGE</u>	
Desktop Organizer	25
Bookcases	29
Lateral Files	21
Machine Stands	22
Media/Storage Units	30
Mobile Files	22
Overhead Storage	23 - 25
Storage Units	21
Wardrobe/Storage Units	29

HOW TO ORDER

GENERAL INFORMATION:

This section is designed to assist in the ordering process and to avoid delays in the entry and production of the product.

The following information should be included on every order.

1. Purchase Order Number.
2. Date of order.
3. Complete BILL TO and SHIP TO addresses, contact names, and phone numbers.
4. Special shipping instructions.
5. Date required.
6. Complete product information – complete catalog number, description, options, finishes, and quantity.

CATALOG NUMBER:

Our catalog numbering system is designed to communicate the complete information from the buyer to the production of the product.

The catalog number consists of ten (10) digits.

W	R	3	6	2	9	1	P	6	6
1	2	3	4	5	6	7	8	9	10

1 & 2 = Product Series.
(Work Table, Mobile File, Overhead, Etc.)

3 & 4 = Width.

5 = Depth.

6 = Height.

7 = Option A

8 = Option B

9 = Surface Finish

10 = Base Finish

Right and Left are determined by the location of the person from a sitting position to the furniture.

FINISHES: LAMINATE

Viking uses the laminates below for the surface and base finishes on the Modular Solutions Caseloads. Laminates are to be specified as Finish Options in the catalog number.

BASE OPTIONS: VERTICAL, WORK SURFACES & PVC EDGE:

- 0 - Pionite Black #SE101-S Suede
- 1 - Pionite Opti Gray #SG213-S Suede
- 2 - Pionite Pumice #SG203-S Suede
- 3 - Pionite Pebble #ST683-S Suede
- 4 - Wilsonart Mahogany #7122T-07
- 5 - Pionite Stonedust #SG224-S Suede
- 6 - Pionite Yorkshire Cherry #WC411-S Suede
- 7 - Pionite Pearwood #WX031-S Suede
- 8 - Wilsonart English Oak #7885T
- 9 - Pionite Hardrock Maple #WM791-S Suede

ADDITIONAL OPTIONS: WORK SURFACE ONLY.

- C - Pionite Stonedust Crepe #AG331-S Suede
- D - Pionite Opal Impression #AB121-S Suede
- E - Pionite Pebble Santos #AG301-S Suede
- K - Pionite Gray Fiesta #AG321-S Suede
- U - Pionite White Spectrum #AW785-S Suede

FINISHES: FABRIC

Refer to the finish card for in stock fabrics for the Tack Panels and the Privacy Screens.

- | | |
|------------------------|-------------------------|
| X0-Pearl 481 | X1-Silver Papier 538 |
| X2-Quartz 380 | X3-Quarry 479 |
| X4-Bleu Papier 539 | X5-Wheat 130 |
| X6-Greige Papier 542 | X7-Opal 394 |
| X8-Blue Neutral 401 | X9-Verte Papier 561 |
| Y0-Apricot Neutral 404 | Y1-Lavender Neutral 405 |
| Y2-Blanc Papier 540 | Y3-Silver Neutral 406 |
| Y4-Green Neutral 402 | Y5-Oatmeal 254 |
| Y6-Rose 173 | Y7-Cherry Neutral 400 |
| Y8-Grey Mix 238 | Z9-Crystal Blue 175 |
| Z0-Pumice 423 | Z1-Rose Quartz 390 |
| Z2-Sienna 475 | Z3-Steel Grey 471 |
| Z4-Wedgewood 150 | |

SPECIFICATIONS

WORK SURFACES:

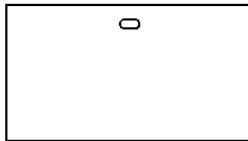
Thickness: 1 3/16 inch
Core: 1 1/8 inch, 45 lb. industrial grade, medium density particle board.
Laminates: Pionite, Nevamar and Wilsonart brands of high pressure laminate.

EDGING: 3mm thick PVC banding matched to base color options.

GROMMETS:

Material: Solid black plastic. 3 1/2" x 2" rectangular shaped with removable cover.

Locations:

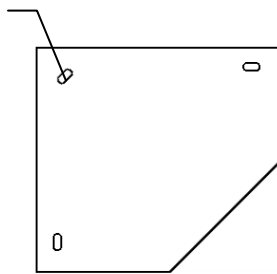


One Grommet Centered



Two Grommets - Left & Right

Standard on corners and curved tables



Optional Two Grommets - Left & Right

LOCKS:

Locks are randomly keyed unless otherwise specified. Locks may be keyed alike between lock key numbers 100 to 115. Please specify on original order.

TEXTILES:

Guilford of Maine FR 701®
Style 2100
Contents: 100% Polyester
Flammability: ASTM E-84 Class 1 or A
NFPA-701 – Passes
State of CA. Tech Bulletin
117 Sec. E. (CS-191-53) - Passes

DRAWER AND STORAGE PULLS:

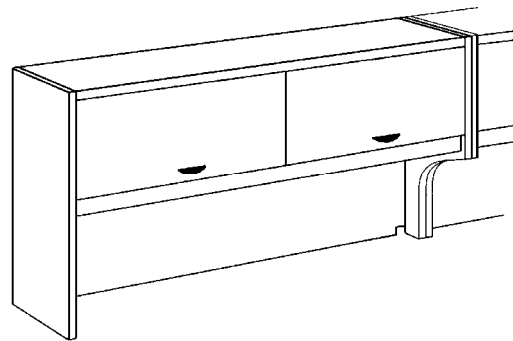
Die Cast Metal pulls with Black Mat Lacquer Finish.

PEDESTALS AND FILE STORAGE UNITS:

Drawers: Steel skins with 100 lb. rated ball bearing suspensions.
Shells: Laminate with 3mm PVC edging.
File Drawers: Same.
Lateral Files: Same.
Anti-Tilt: All mobile files come with counter balances or anti-tilt mechanisms.

OVERHEAD LEG CUTOUTS:

Leg cutouts can be ordered for either left or right leg or both when utilizing corner overheads.



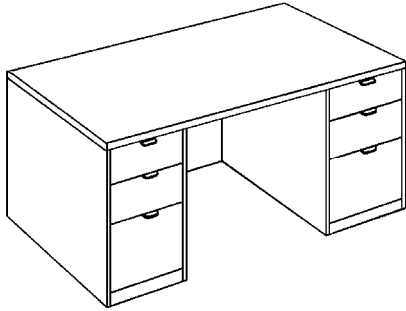
NATIONAL STANDARDS:

Where applicable, products are designed to meet or exceed BIFMA/ANSI Standards.

VIKING MODULAR SOLUTIONS

SERIES DESCRIPTION	CATALOG NO.	OPTION/FINISH	W" x D" x H"	PRICE
--------------------	-------------	---------------	--------------	-------

**DOUBLE PEDESTAL DESK
FULL MODESTY**



A double pedestal desk that includes side panels, **full modesty panel** and two pedestals from the choices below under Options A.

DM6049-	A 0 -	60x30x29	\$ 1323.00
DM6649-	A 0 -	66x30x29	\$ 1356.00
DM7249-	A 0 -	72x30x29	\$ 1389.00
DM6659-	A 0 -	66x36x29	\$ 1423.00
DM7259-	A 0 -	72x36x29	\$ 1455.00
DM7859-	A 0 -	78x36x29	\$ 1488.00

OPTIONS A: PEDESTAL LOCATIONS

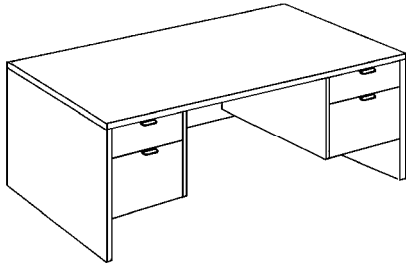
A - Box/Box/File Both Sides	Standard
B - File/File Left, Box/Box/File Right	No Charge
C - Box/Box/File Left, File/File Right	No Charge
D - Box/File Both Sides (Files do not go to floor)	No Charge

NOTE: Pencil Drawer Center - (Order separately page 34)

OPTIONS B:

0 - None	Standard
1 - Grommet (One centered) ADD	\$ 22.00
2 - Grommet (Two Left/Right) ADD	\$ 45.00
3 - Locks ADD	\$ 88.00
4 - Grommet (One)/ Locks ADD	\$ 110.00
5 - Grommet (Two)/Locks ADD	\$ 133.00

DOUBLE PEDESTAL DESK-3/4 MODESTY



A double pedestal desk that includes side panels, **3/4 modesty panel 4"** from the floor, and two pedestals from the choices below under Options A.

DP6049-	D 0 -	60x30x29	\$ 1168.00
DP6649-	D 0 -	66x30x29	\$ 1202.00
DP7249-	D 0 -	72x30x29	\$ 1235.00
DP6659-	D 0 -	66x36x29	\$ 1268.00
DP7259-	D 0 -	72x36x29	\$ 1301.00
DP7859-	D 0 -	78x36x29	\$ 1333.00

OPTIONS A: PEDESTAL LOCATIONS

D - Box/File Both Sides	Standard
-------------------------	----------

NOTE: Pencil Drawer Center - (Order separately page 34)

OPTIONS B:

0 - None	Standard
1 - Grommet (One centered) ADD	\$ 22.00
2 - Grommet (Two Left/Right) ADD	\$ 45.00
3 - Locks ADD	\$ 88.00
4 - Grommet (One)/ Locks ADD	\$ 110.00
5 - Grommet (Two)/Locks ADD	\$ 133.00

ORDERING INFORMATION

D M 7 2 4 9 A 0 9 9

Option A

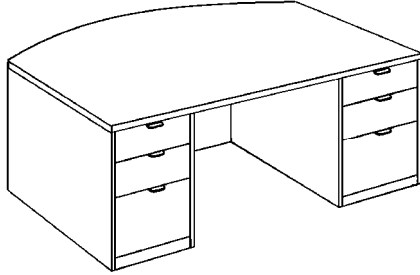
Option B

Laminate Options (see pg. 4)

VIKING MODULAR SOLUTIONS

SERIES DESCRIPTION	CATALOG NO.	OPTION/FINISH	W" x D" x H"	PRICE
--------------------	-------------	---------------	--------------	-------

BOW FRONT DOUBLE PEDESTAL DESK FULL MODESTY



This bow front double pedestal desk includes side panels, **full modesty panel** and two pedestals from the choices below under Options A.

BM6059-	A 0 -		60x36x29	\$ 1433.00
BM6659-	A 0 -		66x36x29	\$ 1466.00
BM7259-	A 0 -		72x36x29	\$ 1499.00
BM7859-	A 0 -		78x36x29	\$ 1533.00

OPTIONS A: PEDESTAL LOCATIONS

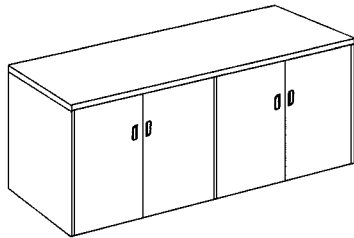
A - Box/Box/File Both Sides	Standard
B - File/File Left, Box/Box/File Right	No Charge
C - Box/Box/File Left, File/File Right	No Charge

NOTE: Pencil Drawer Center - (Order separately page 34)

OPTIONS B:

0 - None	Standard
1 - Grommet (One centered) ADD	\$ 22.00
2 - Grommet (Two Left/Right) ADD	\$ 45.00
3 - Locks ADD	\$ 88.00
4 - Grommet (One)/ Locks ADD	\$ 110.00
5 - Grommet (Two)/Locks ADD	\$ 133.00

CREDENZA – CLOSED



CD6629-F0

Closed credenza provides maximum storage, includes one shelf in each door unit.

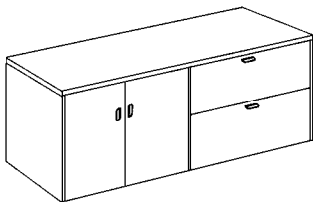
CD6629-	F 0 -		66x20x29	\$ 1125.00
CD6629-	G 0 -		66x20x29	\$ 1455.00
CD6629-	H 0 -		66x20x29	\$ 1455.00
CD6629-	J 0 -		66x20x29	\$ 1676.00

OPTIONS A:

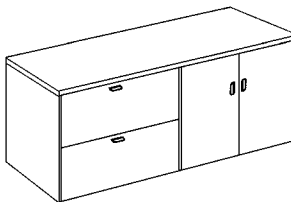
0 - See Above (F,G,H,J)	Standard
-------------------------	----------

OPTIONS B:

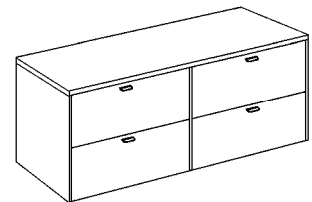
0 - No Locks	Standard
F - Locks/ Four Door Cabinet ADD	\$ 55.00
G - Locks/Cabinet left/Lateral File right ADD	\$ 88.00
H - Locks/Lateral File left/Cabinet right ADD	\$ 88.00
J - Locks/Lateral Files Both sides ADD	\$ 88.00



CD6629-G0



CD6629-H0



CD6629-J0

ORDERING INFORMATION

B M 7 2 5 9 A 0 9 9

Option A

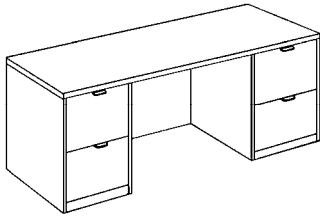
Option B

Laminate Options (see pg. 4)

VIKING MODULAR SOLUTIONS

SERIES DESCRIPTION	CATALOG NO.	OPTION/FINISH	W" x D" x H"	PRICE
--------------------	-------------	---------------	--------------	-------

CREDENZAS – KNEESPACE FULL FULL MODESTY



Knee space credenza with full modesty panel.

CM6629-	E 0 -	66x20x29	\$ 1213.00
CM7229-	E 0 -	72x20x29	\$ 1246.00

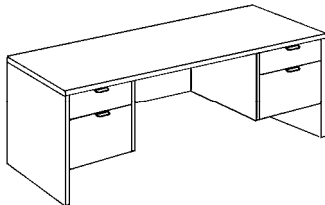
OPTIONS A:

E - File/File Both Sides Standard

OPTIONS B:

0 - None	Standard
1 - Grommet (One centered)	ADD.....	\$ 22.00
3 - Locks	ADD.....	\$ 88.00
4 - Grommet (One)/ Locks	ADD.....	\$ 110.00

CREDENZAS – KNEESPACE 3/4 MODESTY



Knee space credenza with 3/4 modesty panel 4" from the floor.

CP6629-	D 0 -	66x20x29	\$ 1058.00
CP7229-	D 0 -	72x20x29	\$ 1092.00

OPTIONS A:

D - Box/File Both Sides Standard

OPTIONS B:

0 - None	Standard
1 - Grommet (One centered)	ADD.....	\$ 22.00
3 - Locks	ADD.....	\$ 88.00
4 - Grommet (One)/ Locks	ADD.....	\$ 110.00

ORDERING INFORMATION

C M 7 2 2 9 E 0 9 9

Option A

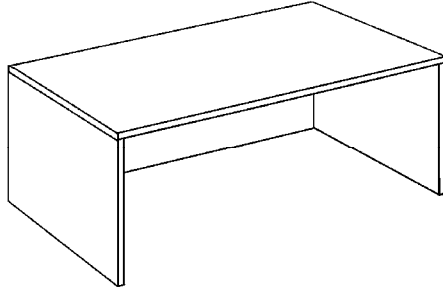
Option B

Laminate Options (see pg. 4)

VIKING MODULAR SOLUTIONS

SERIES DESCRIPTION	CATALOG NO.	OPTION/FINISH	W" x D" x H"	PRICE
--------------------	-------------	---------------	--------------	-------

WORK TABLES – FULL MODESTY



Work tables include side panels and full modesty panel.

WT3039-	00 -		30x24x29	\$ 419.00
WT3639-	00 -		36x24x29	\$ 441.00
WT4239-	00 -		42x24x29	\$ 463.00
WT4839-	00 -		48x24x29	\$ 485.00
WT6039-	00 -		60x24x29	\$ 507.00
WT6639-	00 -		66x24x29	\$ 529.00
WT7239-	00 -		72x24x29	\$ 551.00
WT3049-	00 -		30x30x29	\$ 485.00
WT3649-	00 -		36x30x29	\$ 507.00
WT4249-	00 -		42x30x29	\$ 529.00
WT4849-	00 -		48x30x29	\$ 551.00
WT6049-	00 -		60x30x29	\$ 573.00
WT6649-	00 -		66x30x29	\$ 596.00
WT7249-	00 -		72x30x29	\$ 617.00
WT6059-	00 -		60x36x29	\$ 639.00
WT6659-	00 -		66x36x29	\$ 661.00
WT7259-	00 -		72x36x29	\$ 684.00

OPTIONS A:

0 - None	Standard
----------	----------

OPTIONS B:

0 - None	Standard
1 - Grommet (One centered) ADD	\$ 22.00
2 - Grommet (Two Left/Right) ADD	\$ 45.00

ORDERING INFORMATION

W T 7 2 4 9 0 0 9 9

Option A

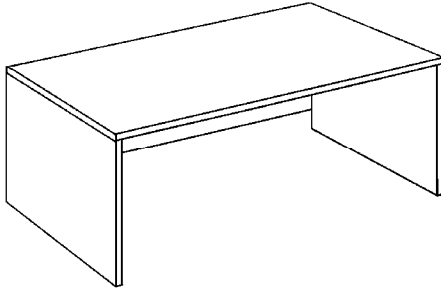
Option B

Laminate Options (see pg. 4)

VIKING MODULAR SOLUTIONS

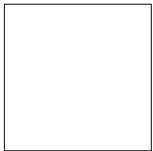
SERIES DESCRIPTION	CATALOG NO.	OPTION/FINISH	W" x D" x H"	PRICE
--------------------	-------------	---------------	--------------	-------

WORK TABLES – 3/4 MODESTY

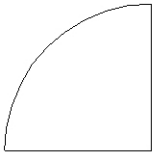


Work tables include side panels and 3/4 modesty panel 4" from the floor.

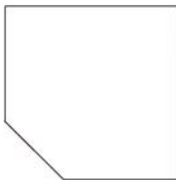
WX3039-	00-		30x24x29	\$ 408.00
WX3639-	00-		36x24x29	\$ 430.00
WX4239-	00-		42x24x29	\$ 452.00
WX4839-	00-		48x24x29	\$ 475.00
WX6039-	00-		60x24x29	\$ 496.00
WX6639-	00-		66x24x29	\$ 518.00
WX7239-	00-		72x24x29	\$ 541.00
WX3049-	00-		30x30x29	\$ 474.00
WX3649-	00-		36x30x29	\$ 496.00
WX4249-	00-		42x30x29	\$ 518.00
WX4849-	00-		48x30x29	\$ 541.00
WX6049-	00-		60x30x29	\$ 562.00
WX6649-	00-		66x30x29	\$ 584.00
WX7249-	00-		72x30x29	\$ 606.00
WX6059-	00-		60x36x29	\$ 629.00
WX6659-	00-		66x36x29	\$ 651.00
WX7259-	00-		72x36x29	\$ 672.00



Squared Joiner Work Surface



Curved Joiner Work Surface



Corner Joiner Work Surface with single leg in back corner.

JOINER WORKSURFACES

Use the joiners to connect tables together in the corner.

ESJ2424-	-		24" x 24" Corner, square	\$ 165.00
ESJ24CU	-		24" Corner, curved	\$ 165.00
ESJ3624-	-		36" x 36" x 24" Corner with leg	\$ 541.00
ESJ4224-	-		42" x 42" x 24" Corner with leg	\$ 573.00
ESJ4824-	-		48" x 48" x 24" Corner with leg	\$ 617.00
ESJ3030-	-		30" x 30" Corner, square	\$ 176.00
ESJ30CU	-		30" Corner, curved	\$ 176.00
ESJ3630-	-		36" x 36" x 30" Corner with leg	\$ 562.00
ESJ4230-	-		42" x 42" x 30" Corner with leg	\$ 596.00
ESJ4830-	-		48" x 48" x 30" Corner with leg	\$ 639.00

OPTIONS A:

0 - None	Standard
----------	----------

OPTIONS B:

0 - None	Standard
1 - Grommet (One centered) ADD	\$ 22.00
2 - Grommet (Two Left/Right) ADD	\$ 45.00

ORDERING INFORMATION

W X 7 2 4 9 0 0 9 9

Option A

Option B

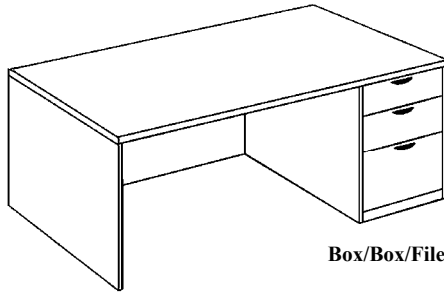
Laminate Options (see pg. 4)

VIKING MODULAR SOLUTIONS

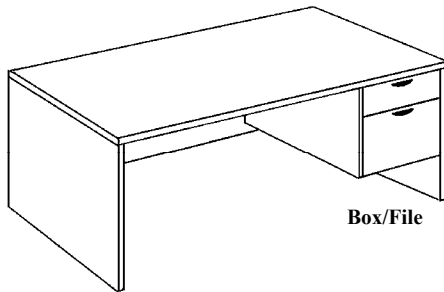
SERIES DESCRIPTION	CATALOG NO.	OPTION/FINISH	W" x D" x H"	PRICE
--------------------	-------------	---------------	--------------	-------

**SINGLE PEDESTAL TABLES
FULL MODESTY**

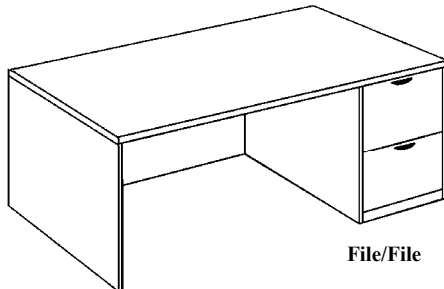
Provides work surface that includes side panels, full modesty panel and one pedestal. Specify right or left location of the pedestal. All models listed as Right (SR) use (SL) for left sided pedestal.



Box/Box/File



Box/File



File/File

SR4839-	K 0	-	48x24x29	\$ 816.00
SR6039-	K 0	-	60x24x29	\$ 838.00
SR6639-	K 0	-	66x24x29	\$ 860.00
SR7239-	K 0	-	72x24x29	\$ 882.00

SR4849-	K 0	-	48x30x29	\$ 882.00
SR6049-	K 0	-	60x30x29	\$ 904.00
SR6649-	K 0	-	66x30x29	\$ 926.00
SR7249-	K 0	-	72x30x29	\$ 948.00

SR6059-	K 0	-	60x36x29	\$ 948.00
SR6659-	K 0	-	66x36x29	\$ 970.00
SR7259-	K 0	-	72x36x29	\$ 992.00

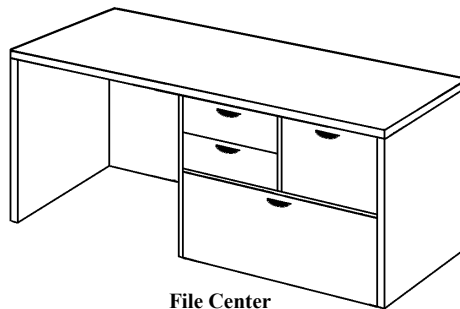
OPTIONS A:

K - Box/Box/File	Standard	
L - Box/File	SUBTRACT	\$ - 66.00
M - File/File	SUBTRACT	\$ - 22.00
N - File Center	ADD	\$ 176.00
P - Two Drawer Lateral	ADD	\$ 176.00

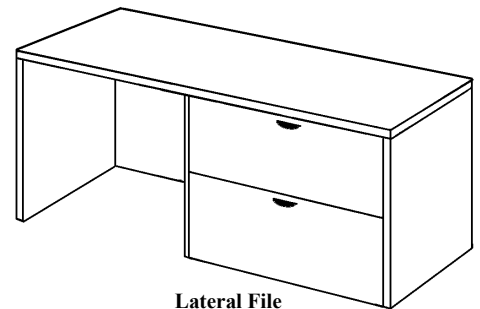
NOTE: Pencil Drawer Center - (Order separately page 34)

OPTIONS B:

0 - None	Standard	
1 - Grommet (One centered)	ADD	\$ 22.00
2 - Grommet (Two Left/Right)	ADD	\$ 45.00
3 - Locks	ADD	\$ 60.00
4 - Grommet (One)/ Locks	ADD	\$ 83.00
5 - Grommet (Two)/Locks	ADD	\$ 105.00



File Center



Lateral File

ORDERING INFORMATION

S | R | 7 | 2 | 4 | 9 | K | 0 | 9 | 9

Option A

L=Left
R=Right

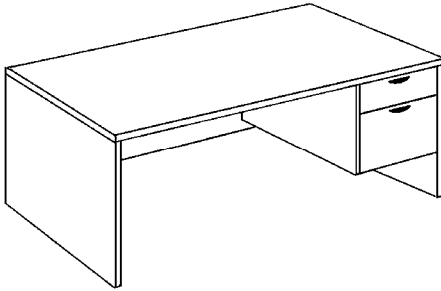
Option B

Laminate Options (see pg. 4)

VIKING MODULAR SOLUTIONS

SERIES DESCRIPTION	CATALOG NO.	OPTION/FINISH	W" x D" x H"	PRICE
--------------------	-------------	---------------	--------------	-------

**SINGLE PEDESTAL TABLES
3/4 MODESTY**



Provides work surface that includes side panels, 3/4 modesty panel 4" from the floor and one pedestal. Specify right or left location of the pedestal. All models listed below as Right (TR) use (TL) for left sided pedestal.

TR4839-	L 0 -		48x24x29	\$ 761.00
TR6039-	L 0 -		60x24x29	\$ 782.00
TR6639-	L 0 -		66x24x29	\$ 805.00
TR7239-	L 0 -		72x24x29	\$ 827.00
TR4849-	L 0 -		48x30x29	\$ 827.00
TR6049-	L 0 -		60x30x29	\$ 849.00
TR6649-	L 0 -		66x30x29	\$ 871.00
TR7249-	L 0 -		72x30x29	\$ 893.00
TR6059-	L 0 -		60x36x29	\$ 893.00
TR6659-	L 0 -		66x36x29	\$ 915.00
TR7259-	L 0 -		72x36x29	\$ 937.00

OPTIONS A:

L - Box/File Standard

NOTE: Pencil Drawer Center - (Order separately page 34)

OPTIONS B:

0 - None Standard

1 - Grommet (One centered) ADD..... \$ 22.00

2 - Grommet (Two Left/Right) ADD..... \$ 45.00

3 - Locks ADD..... \$ 60.00

4 - Grommet (One)/ Locks ADD..... \$ 83.00

5 - Grommet (Two)/Locks ADD..... \$ 105.00

ORDERING INFORMATION

T | R | 7 | 2 | 4 | 9 | L | 0 | 9 | 9

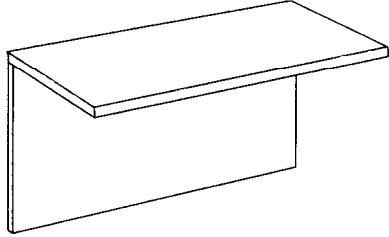
Option A
L=Left
R=Right

Option B

Laminate Options (see pg. 4)

VIKING MODULAR SOLUTIONS

SERIES DESCRIPTION	CATALOG NO.	OPTION/FINISH	W" x D" x H"	PRICE
BRIDGE UNIT	Provides a bridge between two work surfaces, includes full modesty panel.			
	BU3629-	00 -	36x20x29	\$ 308.00
	BU4229-	00 -	42x20x29	\$ 331.00
	BU4829-	00 -	48x20x29	\$ 353.00
	BU3639-	00 -	36x24x29	\$ 320.00
	BU4239-	00 -	42x24x29	\$ 341.00
	BU4839-	00 -	48x24x29	\$ 364.00
	BU3649-	00 -	36x30x29	\$ 341.00
	BU4249-	00 -	42x30x29	\$ 364.00
	BU4849-	00 -	48x30x29	\$ 386.00



BRIDGE SPLIT UNIT

Provides a bridge **with a sit-stand mechanism** between two work tables, includes modesty panel. Back top 20" deep, front keyboard 10" deep. The mechanism is an dual arm that adjusts 8.8" above and 7.1" below surface, +9°/-15° tilt.



BS3649-	00 -	36x30x29	\$ 706.00
BS4249-	00 -	42x30x29	\$ 727.00
BS4849-	00 -	48x30x29	\$ 749.00

OPTIONS A:

0 - None	Standard
----------	----------

OPTIONS B:

0 - None	Standard
1 - Grommet (One in Center)	ADD \$ 22.00

ORDERING INFORMATION

B U 4 8 3 9 0 0 9 9

Option A

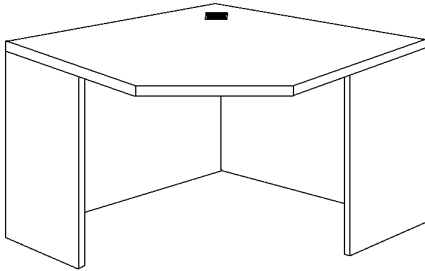
Option B

Laminate Options (see pg. 4)

VIKING MODULAR SOLUTIONS

SERIES DESCRIPTION	CATALOG NO.	OPTION/FINISH	W" x D" x H"	PRICE
--------------------	-------------	---------------	--------------	-------

**CORNER UNITS -STANDARD
FULL MODESTY**



Use with two **returns** (pages 16-17) to create a corner workstation.
One grommet standard.

AU3669-	00 -		36x36x29 24" Ext.	\$ 661.00
AU4269-	00 -		42x42x29 24" Ext.	\$ 684.00
AU4869-	00 -		48x48x29 24" Ext.	\$ 706.00
AU3679-	00 -		36x36x29 30" Ext.	\$ 689.00
AU4279-	00 -		42x42x29 30" Ext.	\$ 711.00
AU4879-	00 -		48x48x29 30" Ext.	\$ 734.00

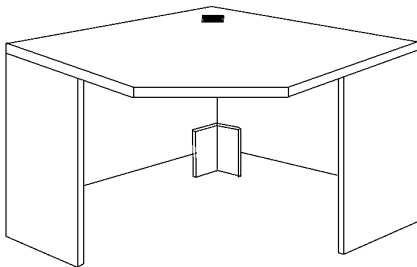
OPTIONS A:

0 - None Standard

OPTIONS B:

0 - None Standard
2 - Two Additional Grommets ADD..... \$ 45.00

**CORNER UNITS -STANDARD
3/4 MODESTY**



Use with **returns** (pages 16-17) to create a corner workstation. One grommet standard.

MU3669-	00 -		36x36x29 24" Ext.	\$ 651.00
MU4269-	00 -		42x42x29 24" Ext.	\$ 672.00
MU4869-	00 -		48x48x29 24" Ext.	\$ 694.00
MU3679-	00 -		36x36x29 30" Ext.	\$ 672.00
MU4279-	00 -		42x42x29 30" Ext.	\$ 694.00
MU4879-	00 -		48x48x29 30" Ext.	\$ 717.00

OPTIONS A:

0 - None Standard

OPTIONS B:

0 - None Standard
2 - Two Additional Grommets ADD..... \$ 45.00

ORDERING INFORMATION

A U 4 2 6 9 0 0 9 9

Option A

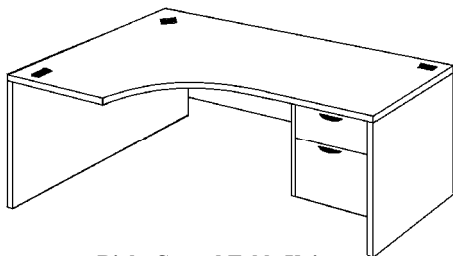
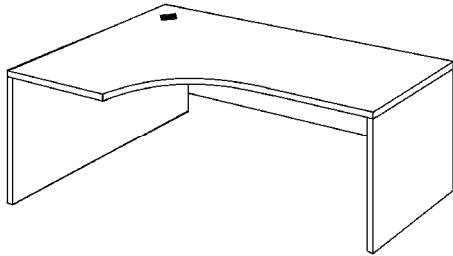
Option B

Laminate Options (see pg. 4)

VIKING MODULAR SOLUTIONS

SERIES DESCRIPTION	CATALOG NO.	OPTION/FINISH	W" x D" x H"	PRICE
--------------------	-------------	---------------	--------------	-------

**CURVED TABLE UNIT
3/4 MODESTY**



Right Curved Table Unit
Shown with optional Grommets

Corner unit with one side. Curved front edge to facilitate workflow. One grommet in corner. Designed to be used with a **24" return table** (pages 16-17). Specify right or left location of the side. All listed as Right. 3/4 modesty on width. Corner grommet standard.

ZR7263-	00 -		72x42/24x29	\$ 739.00
ZR7273-	00 -		72x48/24x29	\$ 805.00
ZR7863-	00 -		78x42/24x29	\$ 761.00
ZR7873-	00 -		78x48/24x29	\$ 827.00
ZR7264-	00 -		72x42/30x29	\$ 749.00
ZR7274-	00 -		72x48/30x29	\$ 827.00
ZR7864-	00 -		78x42/30x29	\$ 782.00
ZR7874-	00 -		78x48/30x29	\$ 849.00

OPTIONS A:

0 - None	Standard
L - Box/File	ADD \$ 353.00

NOTE: Pencil Drawer Center - (Order separately page 34)

OPTIONS B:

0 - None	Standard
2 - Grommet (Two)	ADD \$ 45.00
3 - Locks	ADD \$ 60.00
5 - Grommet (Two)/Locks	ADD \$ 105.00

ORDERING INFORMATION

Z R 7 2 6 3 0 0 9 9

Option A
L = Left
R = Right

Option B

Laminate Options (see pg. 4)

VIKING MODULAR SOLUTIONS

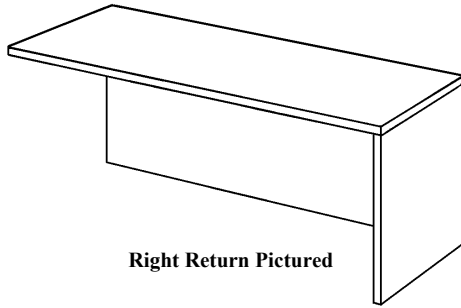
SERIES DESCRIPTION

CATALOG NO. OPTION/FINISH W" x D" x H"

PRICE

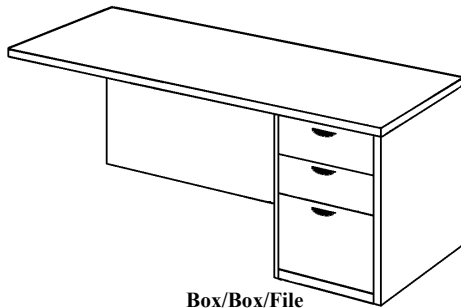
**RETURNS - 29" HIGH
FULL MODESTY**

Provides a return for attachment to a table or desk unit. Includes a side panel, full modesty panel. Specify right or left location of the pedestal. All models listed as Right (RR) use (RL) for left sided.



Right Return Pictured

RR3039-	00	-	30x24x29	\$ 364.00
RR3639-	00	-	36x24x29	\$ 386.00
RR4239-	00	-	42x24x29	\$ 408.00
RR4839-	00	-	48x24x29	\$ 430.00
RR6039-	00	-	60x24x29	\$ 452.00
RR6639-	00	-	66x24x29	\$ 474.00
RR7239-	00	-	72x24x29	\$ 496.00



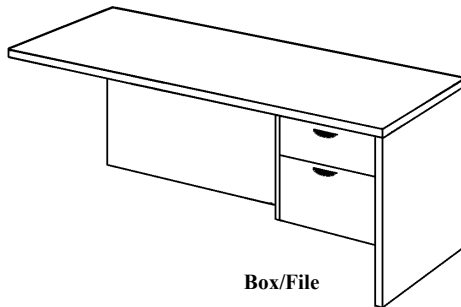
Box/Box/File

RR3049-	00	-	30x30x29	\$ 408.00
RR3649-	00	-	36x30x29	\$ 430.00
RR4249-	00	-	42x30x29	\$ 452.00
RR4849-	00	-	48x30x29	\$ 474.00
RR6049-	00	-	60x30x29	\$ 496.00
RR6649-	00	-	66x30x29	\$ 518.00
RR7249-	00	-	72x30x29	\$ 541.00

OPTIONS A:

0 - None	Standard	
K - Box/Box/File	ADD	\$ 419.00
L - Box/File	ADD	\$ 353.00
M - File/File	ADD	\$ 396.00
N - File Center	ADD	\$ 596.00
P - Two Drawer Lateral	ADD	\$ 596.00

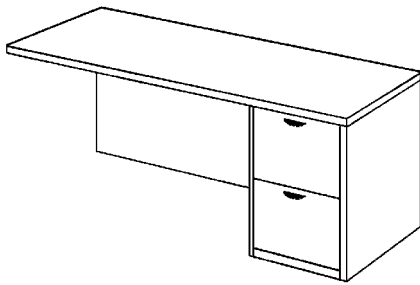
NOTE: Pencil Drawer Center - (Order separately page 34)



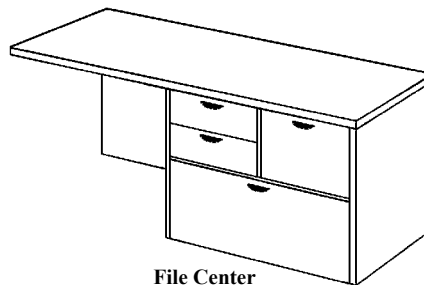
Box/File

OPTIONS B:

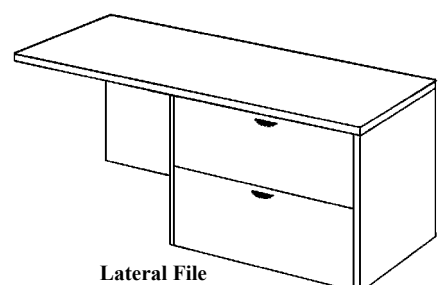
0 - None	Standard	
1 - Grommet (One centered)	ADD	\$ 22.00
2 - Grommet (Two Left/Right)	ADD	\$ 45.00
3 - Locks	ADD	\$ 60.00
4 - Grommet (One)/ Locks	ADD	\$ 83.00
5 - Grommet (Two)/Locks	ADD	\$ 105.00



File/File



File Center



Lateral File

ORDERING INFORMATION

R R 7 2 4 9 0 0 9 9

Option A
L = Left
R = Right

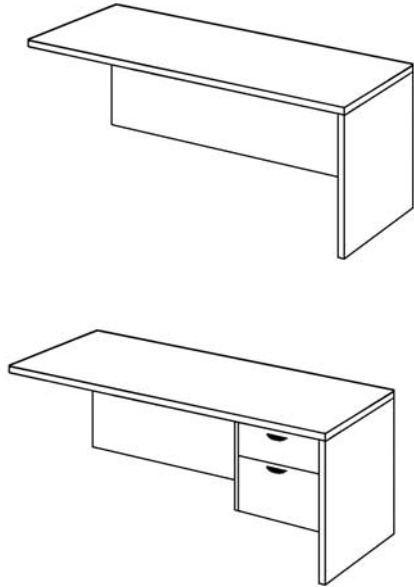
Option B

Laminate Options (see pg. 4)

VIKING MODULAR SOLUTIONS

SERIES DESCRIPTION	CATALOG NO.	OPTION/FINISH	W" x D" x H"	PRICE
--------------------	-------------	---------------	--------------	-------

**RETURN TABLE - 29" HIGH
3/4 MODESTY**



Provides a return for attachment to a table or desk unit. Includes a side panel, 3/4 modesty panel 4" from the floor.. Specify right or left location of the pedestal. All models listed as Right (UR) use (UL) for left sided.

UR3039-	00 -		30x24x29	\$ 353.00
UR3639-	00 -		36x24x29	\$ 375.00
UR4239-	00 -		42x24x29	\$ 396.00
UR4839-	00 -		48x24x29	\$ 419.00
UR6039-	00 -		60x24x29	\$ 441.00
UR6639-	00 -		66x24x29	\$ 463.00
UR7239-	00 -		72x24x29	\$ 485.00
UR3049-	00 -		30x30x29	\$ 396.00
UR3649-	00 -		36x30x29	\$ 419.00
UR4249-	00 -		42x30x29	\$ 441.00
UR4849-	00 -		48x30x29	\$ 463.00
UR6049-	00 -		60x30x29	\$ 485.00
UR6649-	00 -		66x30x29	\$ 507.00
UR7249-	00 -		72x30x29	\$ 529.00

OPTIONS A:

0 - None Standard
 L - Box/File ADD \$ 353.00

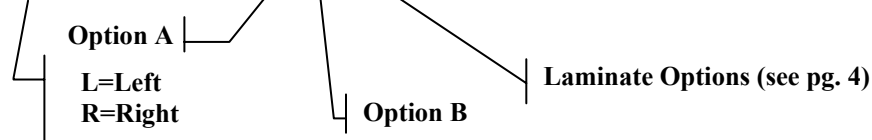
NOTE: Pencil Drawer Center - (Order separately page 34)

OPTIONS B:

0 - None Standard
 1 - Grommet (One centered) ADD \$ 22.00
 2 - Grommet (Two Left/Right) ADD \$ 45.00
 3 - Locks ADD \$ 60.00
 4 - Grommet (One)/ Locks ADD \$ 83.00
 5 - Grommet (Two)/Locks ADD \$ 105.00

ORDERING INFORMATION

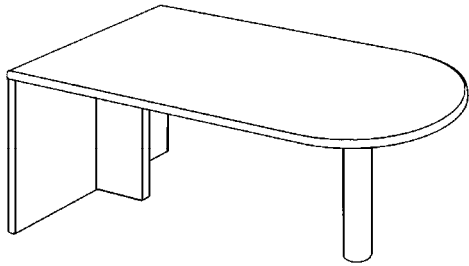
U R 7 2 4 9 0 0 9 9



VIKING MODULAR SOLUTIONS

SERIES DESCRIPTION	CATALOG NO.	OPTION/FINISH	W" x D" x H"	PRICE
--------------------	-------------	---------------	--------------	-------

PENINSULA TABLES



Peninsula tables are supported by support end and a black column leg. Due to the center support panel, the Peninsula tables cannot accommodate pedestals. Use with worktable returns and bridges to corner units.

PT6049-	00 -		60x30x29	\$ 562.00
PT6649-	00 -		66x30x29	\$ 584.00
PT7249-	00 -		72x30x29	\$ 606.00
PT7849-	00 -		78x30x29	\$ 629.00
PT6059-	00 -		60x36x29	\$ 629.00
PT6659-	00 -		66x36x29	\$ 651.00
PT7259-	00 -		72x36x29	\$ 672.00
PT7859-	00 -		78x36x29	\$ 694.00

OPTIONS A:

0 - None Standard

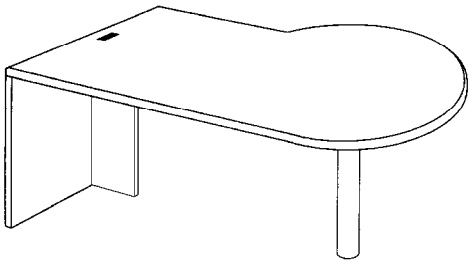
NOTE: Pencil Drawer Center - (Order separately page 34)

OPTIONS B:

0 - None Standard

1 - Grommet (One centered) ADD..... \$ 22.00

“P” SHAPE TABLES



P-Table – Left
Shown with optional grommet

“P” shaped peninsula tables are supported by support end and a black column leg. Due to the center support panel, the Peninsula tables cannot accommodate pedestals. Use with worktable returns and bridges to corner units. Specify right or left location of the side. All listed as Left.

QL6049-	00 -		60x30/36x29	\$ 584.00
QL6649-	00 -		66x30/36x29	\$ 606.00
QL7249-	00 -		72x30/36x29	\$ 629.00
QL7849-	00 -		78x30/36x29	\$ 651.00
QL6059-	00 -		60x36/42x29	\$ 651.00
QL6659-	00 -		66x36/42x29	\$ 672.00
QL7259-	00 -		72x36/42x29	\$ 694.00
QL7859-	00 -		78x36/42x29	\$ 717.00

OPTIONS A:

0 - None Standard

NOTE: Pencil Drawer Center - (Order separately page 34)

OPTIONS B:

0 - None Standard

1 - Grommet (One centered) ADD..... \$ 22.00

ORDERING INFORMATION

Q | L | 7 | 2 | 4 | 9 | 0 | 0 | 9 | 9

Option A
L=Left
R=Right

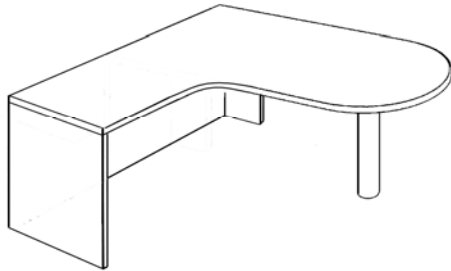
Option B

Laminate Options (see pg. 4)

VIKING MODULAR SOLUTIONS

SERIES DESCRIPTION	CATALOG NO.	OPTION/FINISH	W" x D" x H"	PRICE
--------------------	-------------	---------------	--------------	-------

PENINSULA CORNER TABLES



Peninsula Corner Table – Left Shown

Peninsula corner tables are supported by two support ends, a modesty panel, and a black column leg. Due to the center support panel, the Peninsula tables cannot accommodate pedestals. Use with worktable returns and bridges to corner units. Standard depth of peninsula is 30".

PC6424-*	00 -		66x48x24x29.....	\$ 794.00
PC6630-*	00 -		66x48x30x29.....	\$ 794.00
PC7824-*	00 -		78x48x24x29.....	\$ 827.00
PC7830-*	00 -		78x48x30x29.....	\$ 827.00

* = Left (L) or Right (R) seated view

OPTIONS A:

0 - None Standard

NOTE: Pencil Drawer Center - (Order separately page 34)

OPTIONS B:

0 - None Standard

1 - Grommet (One centered) ADD..... \$ 22.00

ORDERING INFORMATION

P C 7 8 3 L 0 1 9 9

L=Left
R=Right

Option A

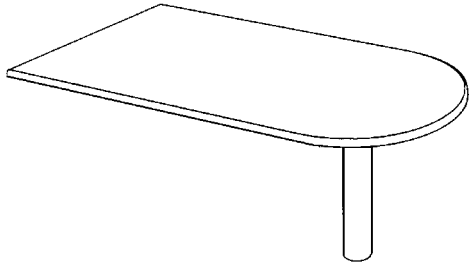
Option B

Laminate Options (see pg. 4)

VIKING MODULAR SOLUTIONS

SERIES DESCRIPTION	CATALOG NO.	OPTION/FINISH	W" x D" x H"	PRICE
--------------------	-------------	---------------	--------------	-------

PENINSULA EXTENSION



Attaches to a worktable. Peninsula column leg in black finish.

FE6049-	00 -		60x30x29	\$ 408.00
FE6649-	00 -		66x30x29	\$ 430.00
FE7249-	00 -		72x30x29	\$ 452.00

OPTIONS A:

0 - None Standard

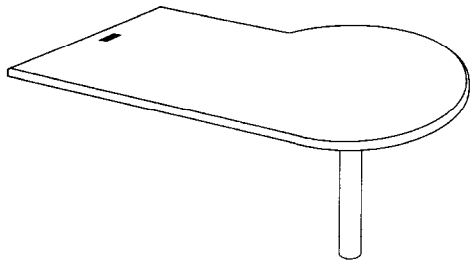
NOTE: Pencil Drawer Center - (Order separately page 34)

OPTIONS B:

0 - None Standard

1 - Grommet (One centered) ADD..... \$ 22.00

“P” PENINSULA EXTENSION



Attaches to a worktable. Peninsula column leg in black finish. All listed as Left.

FL6049-	00 -		60x30/36x29	\$ 452.00
FL6649-	00 -		66x30/36x29	\$ 474.00
FL7249-	00 -		72x30/36x29	\$ 496.00

OPTIONS A:

0 - None Standard

NOTE: Pencil Drawer Center - (Order separately page 34)

OPTIONS B:

0 - None Standard

1 - Grommet (One centered) ADD..... \$ 22.00

P-Table Return – Left
Shown with optional grommet

ORDERING INFORMATION

F | L | 7 | 2 | 4 | 9 | 0 | 0 | 9 | 9

Option A

L=Left
R=Right

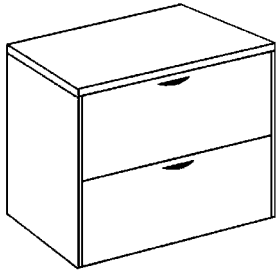
Option B

Laminate Options (see pg. 4)

VIKING MODULAR SOLUTIONS

SERIES DESCRIPTION	CATALOG NO.	OPTION/FINISH	W" x D" x H"	PRICE
--------------------	-------------	---------------	--------------	-------

LATERAL FILES



Two, three and four drawer units are available in 33.5" width. Laminate exterior with metal inner drawers.

LF3422-	00 -		33.5x20x29	Two drawer	\$ 749.00
LF3423-	00 -		33.5x20x44	Three drawer ..	\$ 860.00
LF3424-	00 -		33.5x20x51	Four drawer	\$ 970.00

EDP files are accommodated in these file options.

EF3432-	00 -		33.5x22x29	Two drawer	\$ 816.00
EF3433-	00 -		33.5x22x44	Three drawer ..	\$ 926.00

File Center with lateral file on the bottom, a file drawer and two box files on the top.

FC3422-	00 -		33.5x20x29	Two high	\$ 749.00
---------	------	--	------------	----------------	-----------

OPTIONS A:

0 - None Standard

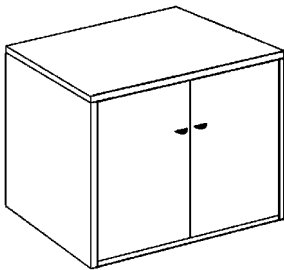
NOTE: Hanging bars - (Order separately page 34.)

OPTIONS B:

0 - None Standard

L - Locks ADD \$ 88.00

STORAGE UNIT



Two door storage cabinet. Includes one adjustable shelf.

SF2429-	Q0 -		24x20x29	Two door	\$ 353.00
SF3624-	Q0 -		36x24x29	Two door	\$ 441.00
SF4829-	Q0 -		48x20x29	Two door	\$ 529.00

OPTIONS A:

Q - Two door cabinet Standard

OPTIONS B:

0 - None Standard

L - Locks ADD \$ 33.00

ORDERING INFORMATION

L F 3 4 2 2 0 0 9 9

Option A

Option B

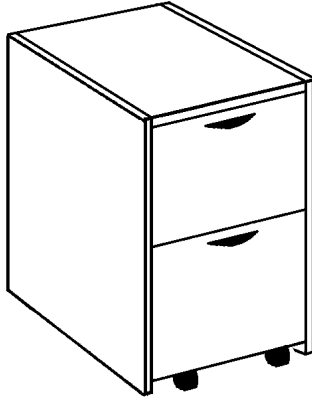
Laminate Options (see pg. 4)

VIKING MODULAR SOLUTIONS

SERIES DESCRIPTION	CATALOG NO.	OPTION/FINISH	W" x D" x H"	PRICE
--------------------	-------------	---------------	--------------	-------

MOBILE FILES

Mobile pedestal units available in several options. Laminate exterior with metal inner drawers. Standard with casters. Optional Locks. Available in Base Colors Only.



MFBF23-	00 -		15x20x24 Box/File.....	\$ 463.00
MFFF24-	00 -		15x20x27 File/File.....	\$ 474.00
MFBF24-	00 -		15x20x27 Box/Box/File.....	\$ 496.00
MFBF33-	00 -		15x26x24 Box/File.....	\$ 485.00
MFFF34-	00 -		15x26x27 File/File.....	\$ 496.00
MFBF34-	00 -		15x26x27 Box/Box/File.....	\$ 518.00

OPTIONS A:

0 - None Standard

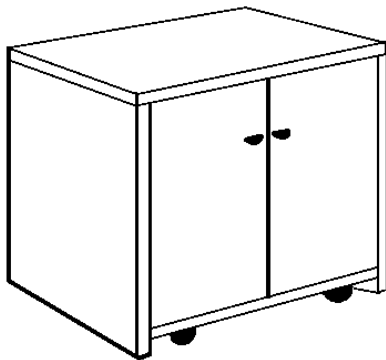
OPTIONS B:

0 - None Standard

L - Locks ADD..... \$ 60.00

MOBILE STORAGE/MACHINE STAND

Storage unit with two doors on casters, includes one adjustable shelf.



LC2422-	00 -		24x20x22	\$ 408.00
LC3032-	00 -		30x24x22	\$ 452.00
LC3632-	00 -		36x24x22	\$ 496.00
LC2429-	00 -		24x20x29	\$ 441.00
LC3039-	00 -		30x24x29	\$ 485.00
LC3639-	00 -		36x24x29	\$ 529.00

OPTIONS A:

0 - None Standard

OPTIONS B:

0 - None Standard

L - Locks ADD..... \$ 33.00

ORDERING INFORMATION

M | F | B | F | 2 | 4 | 0 | 0 | 9 | 9

Option A

Option B

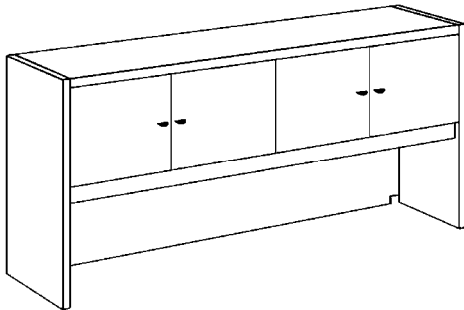
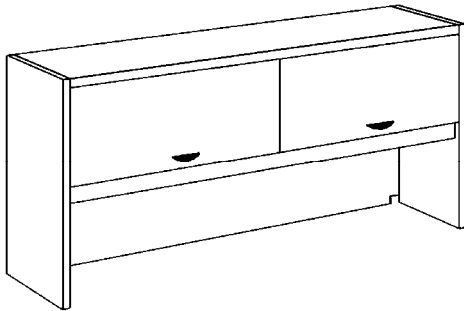
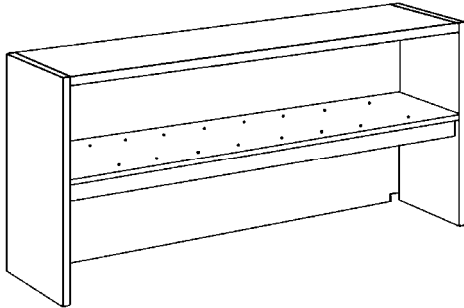
Laminate Options (see pg. 4)

VIKING MODULAR SOLUTIONS

SERIES DESCRIPTION	CATALOG NO.	OPTION/FINISH	W" x D" x H"	PRICE
--------------------	-------------	---------------	--------------	-------

OVERHEAD STORAGE – 36" HIGH

Available with shelf, flipper doors, or cabinet style doors. Flipper door opens up and under top shelf. Predrilled for wire dividers. Available in base colors only.



OH30S6-	00-		30x15x36 Shelf	\$ 441.00
OH36S6-	00-		36x15x36 Shelf	\$ 463.00
OH42S6-	00-		42x15x36 Shelf	\$ 485.00
OH48S6-	00-		48x15x36 Shelf	\$ 507.00
OH60S6-	00-		60x15x36 Shelf	\$ 551.00
OH66S6-	00-		66x15x36 Shelf	\$ 573.00
OH72S6-	00-		72x15x36 Shelf	\$ 596.00
OH30F6-	00-		30x15x36 Flipper	\$ 617.00
OH36F6-	00-		36x15x36 Flipper	\$ 639.00
OH42F6-	00-		42x15x36 Flipper	\$ 661.00
OH48F6-	00-		48x15x36 Flipper	\$ 684.00
OH60F6-	00-		60x15x36 Flipper	\$ 772.00
OH66F6-	00-		66x15x36 Flipper	\$ 794.00
OH72F6-	00-		72x15x36 Flipper	\$ 816.00
OH30D6-	00-		30x15x36 Doors	\$ 551.00
OH36D6-	00-		36x15x36 Doors	\$ 573.00
OH42D6-	00-		42x15x36 Doors	\$ 596.00
OH48D6-	00-		48x15x36 Doors	\$ 617.00
OH60D6-	00-		60x15x36 Doors	\$ 661.00
OH66D6-	00-		66x15x36 Doors	\$ 684.00
OH72D6-	00-		72x15x36 Doors	\$ 706.00

OPTIONS A:

0 - None		Standard
1 - Left Leg Cutout	ADD	\$ 22.00
2 - Right Leg Cutout	ADD	\$ 22.00
3 - Both Legs Cutout	ADD	\$ 45.00

NOTE: See page 5 for drawings of leg options.

OPTIONS B:

0 - None		Standard
L - Locks	ADD	\$ 55.00

NOTE: Wire Dividers – (Order separately as accessories on page 34)

ORDERING INFORMATION

O H 7 2 F 6 0 0 9 9

Option A

Option B

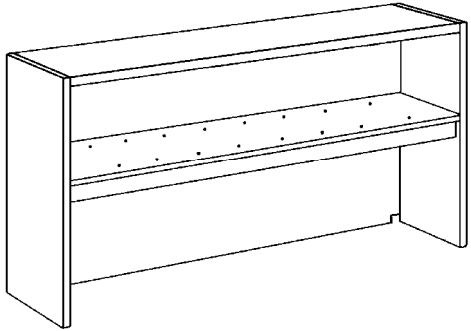
Laminate Options (see pg. 4)

VIKING MODULAR SOLUTIONS

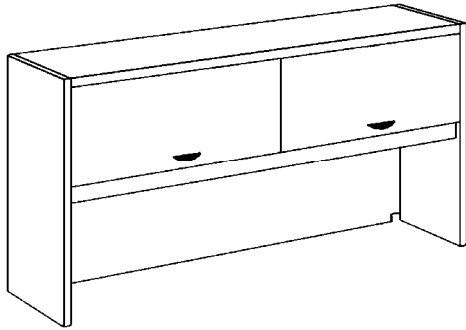
SERIES DESCRIPTION	CATALOG NO.	OPTION/FINISH	W" x D" x H"	PRICE
--------------------	-------------	---------------	--------------	-------

OVERHEAD STORAGE – 39" HIGH

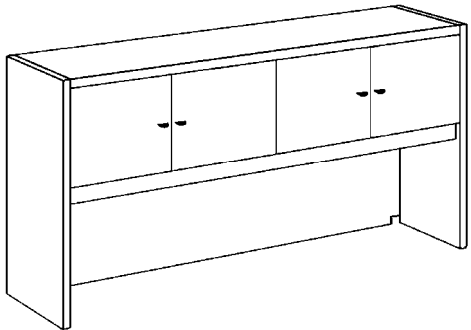
Available with shelf, flipper doors, or cabinet style doors. Flipper door opens up and under top shelf. Predrilled for wire dividers.



OH30S9-	00-		30x15x39 Shelf	\$ 452.00
OH36S9-	00-		36x15x39 Shelf	\$ 474.00
OH42S9-	00-		42x15x39 Shelf	\$ 496.00
OH48S9-	00-		48x15x39 Shelf	\$ 518.00
OH60S9-	00-		60x15x39 Shelf	\$ 562.00
OH66S9-	00-		66x15x39 Shelf	\$ 584.00
OH72S9-	00-		72x15x39 Shelf	\$ 606.00



OH30F9-	00-		30x15x39 Flipper	\$ 629.00
OH36F9-	00-		36x15x39 Flipper	\$ 651.00
OH42F9-	00-		42x15x39 Flipper	\$ 672.00
OH48F9-	00-		48x15x39 Flipper	\$ 694.00
OH60F9-	00-		60x15x39 Flipper	\$ 782.00
OH66F9-	00-		66x15x39 Flipper	\$ 805.00
OH72F9-	00-		72x15x39 Flipper	\$ 827.00



OH30D9-	00-		30x15x39 Doors	\$ 562.00
OH36D9-	00-		36x15x39 Doors	\$ 584.00
OH42D9-	00-		42x15x39 Doors	\$ 606.00
OH48D9-	00-		48x15x39 Doors	\$ 629.00
OH60D9-	00-		60x15x39 Doors	\$ 672.00
OH66D9-	00-		66x15x39 Doors	\$ 694.00
OH72D9-	00-		72x15x39 Doors	\$ 717.00

OPTIONS A:

0 - None		Standard
1 - Left Leg Cutout	ADD	\$ 22.00
2 - Right Leg Cutout	ADD	\$ 22.00
3 - Both Legs Cutout	ADD	\$ 45.00

NOTE: See page 5 for drawings of leg options.

OPTIONS B:

0 - None		Standard
L - Locks	ADD	\$ 55.00
S - Shelf under overhead	ADD	\$ 110.00
B - Locks and shelf	ADD	\$ 165.00
2 - Shelf in top & under	ADD	\$ 220.00
3 - Locks and two shelves	ADD	\$ 276.00

NOTE: Wire Dividers – (Order separately as accessories on page 34)

ORDERING INFORMATION

O | H | 7 | 2 | F | 9 | 0 | 0 | 9 | 9

Option A

Option B

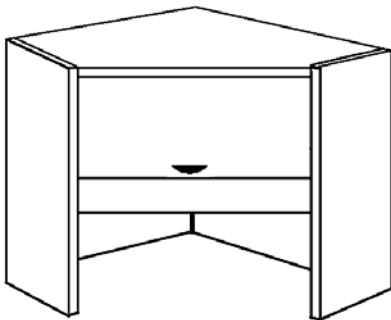
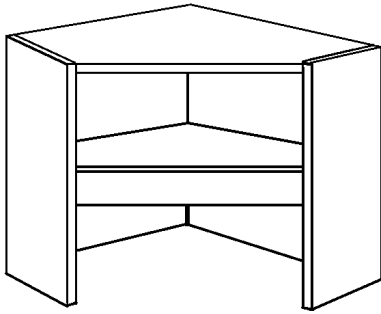
Laminate Options (see pg. 4)

VIKING MODULAR SOLUTIONS

SERIES DESCRIPTION	CATALOG NO.	OPTION/FINISH	W" x D" x H"	PRICE
--------------------	-------------	---------------	--------------	-------

CORNER OVERHEADS

Use with corner units to provide overhead storage. Available with shelf or flipper style doors. Available in base colors only.



OC36S6	00 -		36x15x36 Shelf	\$ 617.00
OC42S6	00 -		42x15x36 Shelf	\$ 651.00
OC48S6	00 -		48x15x36 Shelf	\$ 684.00
OC36F6	00 -		36x15x36 Flipper	\$ 794.00
OC42F6	00 -		42x15x36 Flipper	\$ 816.00
OC48F6	00 -		48x15x36 Flipper	\$ 837.00
OC36S9	00 -		36x15x39 Shelf	\$ 629.00
OC42S9	00 -		42x15x39 Shelf	\$ 661.00
OC48S9	00 -		48x15x39 Shelf	\$ 694.00
OC36F9	00 -		36x15x39 Flipper	\$ 805.00
OC42F9	00 -		42x15x39 Flipper	\$ 827.00
OC48F9	00 -		48x15x39 Flipper	\$ 837.00

OPTIONS A:

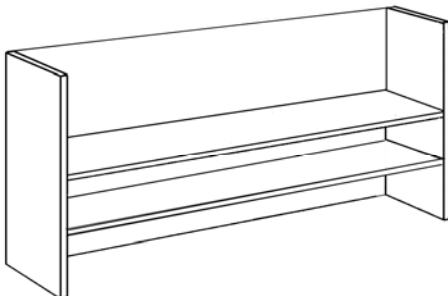
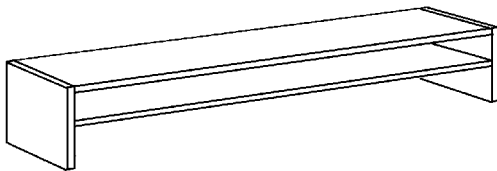
0 - None		Standard
1 - Left Leg Cutout	ADD	\$ 22.00
2 - Right Leg Cutout	ADD	\$ 22.00
3 - Both Legs Cutout	ADD	\$ 45.00

OPTIONS B:

0 - None		Standard
L - Locks	ADD	\$ 33.00

DESKTOP ORGANIZERS

Organizer sits on top of table or desk. Available in base colors only.



DO3011-	00 -		30x12x12	\$ 198.00
DO4211-	00 -		42x12x12	\$ 210.00
DO3611-	00 -		36x12x12	\$ 220.00
DO4811-	00 -		48x12x12	\$ 231.00
DO6011-	00 -		60x12x12	\$ 253.00
DO6611-	00 -		66x12x12	\$ 265.00
DO7211-	00 -		72x12x12	\$ 276.00
DO3036-	00 -		30x12x36-2 shelves	\$ 396.00
DO4236-	00 -		42x12x36-2 shelves	\$ 419.00
DO3636-	00 -		36x12x36-2 shelves	\$ 441.00
DO4836-	00 -		48x12x36-2 shelves	\$ 463.00
DO6036-	00 -		60x12x36-2 shelves	\$ 507.00
DO6636-	00 -		66x12x36-2 shelves	\$ 529.00
DO7236-	00 -		72x12x36-2 shelves	\$ 551.00

ORDERING INFORMATION

O C 3 6 F 9 0 0 9 9

Option A

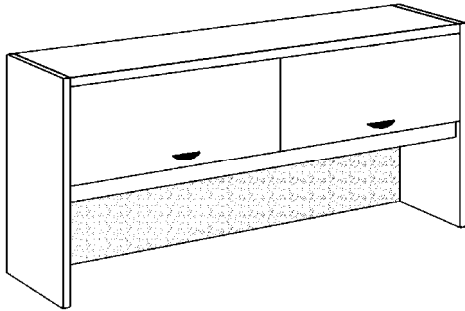
Option B

Laminate Options (see pg. 4)

VIKING MODULAR SOLUTIONS

SERIES DESCRIPTION	CATALOG NO.	OPTION/FINISH	W" x D" x H"	PRICE
--------------------	-------------	---------------	--------------	-------

OVERHEAD TACK PANELS - INTERIOR



Fabric covered tack panels to fit inside and **under 36"** high overheads.

HP30I6-	00 -		To fit 30" Overhead	\$ 88.00
HP36I6-	00 -		To fit 36" Overhead	\$ 100.00
HP42I6-	00 -		To fit 42" Overhead	\$ 110.00
HP48I6-	00 -		To fit 48" Overhead	\$ 121.00
HP60I6-	00 -		To fit 60" Overhead	\$ 133.00
HP66I6-	00 -		To fit 66" Overhead	\$ 143.00
HP72I6-	00 -		To fit 72" Overhead	\$ 155.00

Interior corner unit fabric covered tack panels (Set of two).

HC36I6-	00 -		To fit 36" Corner Overhead .	\$ 198.00
HC42I6-	00 -		To fit 42" Corner Overhead .	\$ 220.00
HC48I6-	00 -		To fit 48" Corner Overhead .	\$ 243.00

Fabric covered tack panels to fit **under 39"** high overheads.

HP30I9-	00 -		To fit 30" Overhead	\$ 93.00
HP36I9-	00 -		To fit 36" Overhead	\$ 105.00
HP42I9-	00 -		To fit 42" Overhead	\$ 116.00
HP48I9-	00 -		To fit 48" Overhead	\$ 127.00
HP60I9-	00 -		To fit 60" Overhead	\$ 138.00
HP66I9-	00 -		To fit 66" Overhead	\$ 148.00
HP72I9-	00 -		To fit 72" Overhead	\$ 160.00

Interior corner unit fabric covered tack panels (Set of two).

HC36I9-	00 -		To fit 36" Corner Overhead .	\$ 210.00
HC42I9-	00 -		To fit 42" Corner Overhead .	\$ 231.00
HC48I9-	00 -		To fit 48" Corner Overhead .	\$ 253.00

FINISHES: SPECIFY FABRIC COLOR – See page 4

ORDERING INFORMATION

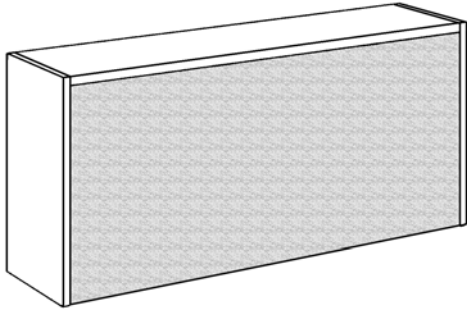
H P 7 2 1 9 0 0 X O

Fabric Color Options (see pg. 4)

VIKING MODULAR SOLUTIONS

SERIES DESCRIPTION	CATALOG NO.	OPTION/FINISH	W" x D" x H"	PRICE
--------------------	-------------	---------------	--------------	-------

OVERHEAD TACK PANELS - EXTERIOR



Fabric covered tack panels to fit **36"** overhead back.

TP30E6-	00 -		To fit 30" Overhead	\$ 176.00
TP36E6-	00 -		To fit 36" Overhead	\$ 188.00
TP42E6-	00 -		To fit 42" Overhead	\$ 198.00
TP48E6-	00 -		To fit 48" Overhead	\$ 210.00
TP60E6-	00 -		To fit 60" Overhead	\$ 231.00
TP66E6-	00 -		To fit 66" Overhead	\$ 243.00
TP72E6-	00 -		To fit 72" Overhead	\$ 253.00

Exterior corner unit fabric covered tack panels (Set of two).

TC36E6-	00 -		To fit 36" Corner Overhead .	\$ 331.00
TC42E6-	00 -		To fit 42" Corner Overhead .	\$ 353.00
TC48E6-	00 -		To fit 48" Corner Overhead .	\$ 375.00

Fabric covered tack panels to fit **39"** overhead back.

TP30E9-	00 -		To fit 30" Overhead	\$ 188.00
TP36E9-	00 -		To fit 36" Overhead	\$ 198.00
TP42E9-	00 -		To fit 42" Overhead	\$ 210.00
TP48E9-	00 -		To fit 48" Overhead	\$ 220.00
TP60E9-	00 -		To fit 60" Overhead	\$ 243.00
TP66E9-	00 -		To fit 66" Overhead	\$ 253.00
TP72E9-	00 -		To fit 72" Overhead	\$ 265.00

Exterior corner unit fabric covered tack panels (Set of two).

TC36E9-	00 -		To fit 36" Corner Overhead .	\$ 353.00
TC42E9-	00 -		To fit 42" Corner Overhead .	\$ 375.00
TC48E9-	00 -		To fit 48" Corner Overhead .	\$ 396.00

FINISHES: SPECIFY FABRIC COLOR - See page 4

ORDERING INFORMATION

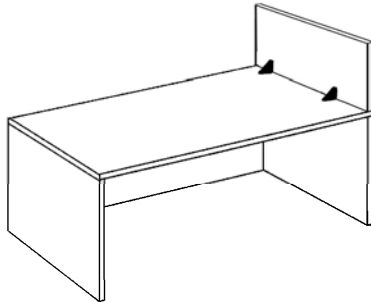
T P 7 2 E 9 0 0 X O

Fabric Color Options (see pg. 4)

VIKING MODULAR SOLUTIONS

SERIES DESCRIPTION	CATALOG NO.	OPTION/FINISH	W" x D" x H"	PRICE
--------------------	-------------	---------------	--------------	-------

PRIVACY PANELS



Privacy Panel PP3012
Shown on 60" x 30" desk.

Privacy panels for installation to the work surface to provide some privacy between shared workstations. Constructed of laminate. Includes two mounting brackets per panel. Panels are available in two heights: 12" and 18". Available in base colors only.

PP2412-	00-		24" x 3/4" x 12"	\$ 165.00
PP3012-	00-		30" x 3/4" x 12"	\$ 176.00
PP3612-	00-		36" x 3/4" x 12"	\$ 188.00
PP4212-	00-		42" x 3/4" x 12"	\$ 198.00
PP4812-	00-		48" x 3/4" x 12"	\$ 220.00
PP5412-	00-		54" x 3/4" x 12"	\$ 248.00
PP6012-	00-		60" x 3/4" x 12"	\$ 276.00
PP6612-	00-		66" x 3/4" x 12"	\$ 303.00
PP7212-	00-		72" x 3/4" x 12"	\$ 331.00
PP7812-	00-		78" x 3/4" x 12"	\$ 358.00

PP2418-	00-		24" x 3/4" x 18"	\$ 193.00
PP3018-	00-		30" x 3/4" x 18"	\$ 204.00
PP3618-	00-		36" x 3/4" x 18"	\$ 215.00
PP4218-	00-		42" x 3/4" x 18"	\$ 226.00
PP4818-	00-		48" x 3/4" x 18"	\$ 254.00
PP5418-	00-		54" x 3/4" x 18"	\$ 276.00
PP6018-	00-		60" x 3/4" x 18"	\$ 303.00
PP6618-	00-		66" x 3/4" x 18"	\$ 331.00
PP7218-	00-		72" x 3/4" x 18"	\$ 358.00

OPTIONS A:

0 - None Standard

OPTIONS B:

0 - None Standard

ORDERING INFORMATION

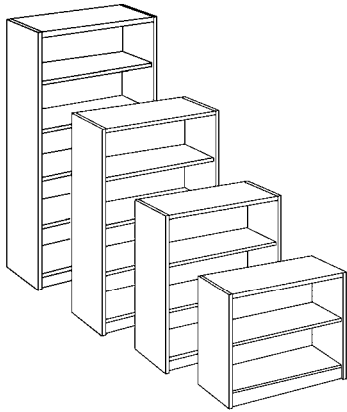
P P 3 0 1 2 0 0 9 9

Base Laminate Color Options (see pg. 4)

VIKING MODULAR SOLUTIONS

SERIES DESCRIPTION	CATALOG NO.	OPTION/FINISH	W" x D" x H"	PRICE
--------------------	-------------	---------------	--------------	-------

BOOKCASES



Adjustable shelves except bottom shelf. Available in base colors only.

BC2911-	00 -		36x13x29 One Shelf.....	\$ 353.00
BC4812-	00 -		36x13x48 Two Shelves.....	\$ 441.00
BC6013-	00 -		36x13x60 Three Shelves.....	\$ 529.00
BC7214-	00 -		36x13x72 Four Shelves.....	\$ 617.00

OPTIONS A:

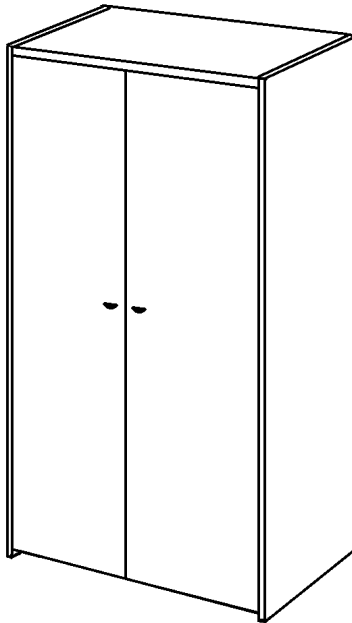
0 - None Standard

For doors on the bookcase consult factory

OPTIONS B:

0 - None Standard

WARDROBE/STORAGE CABINETS



Free standing unit 18" or 36" wide by 24" deep by 65" or 68" high. Available as a coat closet with one shelf, storage cabinet with four shelves, or closet with four shelves in 36" wide. Available in base colors only.

WC18C8-	00 -		18x24x65 Closet	\$ 551.00
WC18S8-	00 -		18x24x65 Shelves	\$ 617.00
WC18C9-	00 -		18x24x68 Closet	\$ 573.00
WC18S9-	00 -		18x24x68 Shelves	\$ 639.00
WC36C8-	00 -		36x24x65 Closet	\$ 706.00
WC36S8-	00 -		36x24x65 Shelves	\$ 772.00
WC36B8-	00 -		36x24x65 Both/Closet Right	\$ 794.00
WC36C9-	00 -		36x24x68 Closet	\$ 727.00
WC36S9-	00 -		36x24x68 Shelves	\$ 794.00
WC36B9-	00 -		36x24x68 Both/Closet	\$ 816.00

OPTIONS A:

0 - None Standard

OPTIONS B:

0 - None Standard

L - Locks ADD..... \$ 66.00

ORDERING INFORMATION

W C 3 6 B 8 0 0 9 9

Option A

Option B

Laminate Options (see pg. 4)

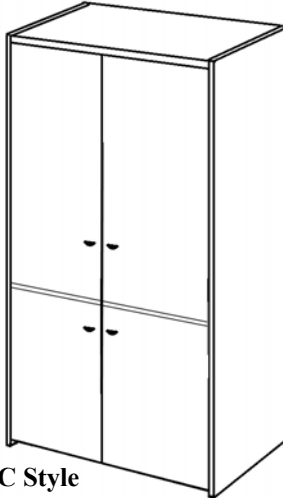
VIKING MODULAR SOLUTIONS

SERIES DESCRIPTION	CATALOG NO.	OPTION/FINISH	W" x D" x H"	PRICE
--------------------	-------------	---------------	--------------	-------

MEDIA/LATERAL STORAGE CABINETS

Free standing unit 36" wide by 24" deep by 65", 68" or 72" high. Available in base colors only.

Media Cabinet with one adjustable shelf above and a storage cabinet below with doors and one adjustable shelf.



MC Style

MC3665-	00 -	36x24x65	\$ 827.00
MC3668-	00 -	36x24x68	\$ 882.00
MC3672-	00 -	36x24x72	\$ 937.00

Media Cabinet with one adjustable shelf and doors above and a two lateral file drawers below.

LC3665-	00 -	36x24x65	\$ 1,102.00
LC3668-	00 -	36x24x68	\$ 1,158.00
LC3672-	00 -	36x24x72	\$ 1,213.00

Media Cabinet with two adjustable shelf above and a two lateral file drawers below.

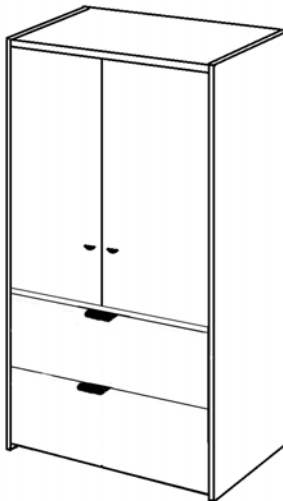
SC3665-	00 -	36x24x65	\$ 992.00
SC3668-	00 -	36x24x68	\$ 1,047.00
SC3672-	00 -	36x24x72	\$ 1,102.00

OPTIONS A:

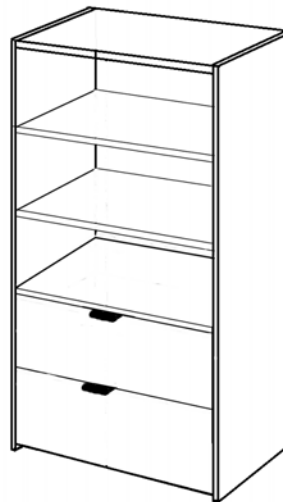
0 - None Standard

OPTIONS B:

0 - None Standard
 L - Locks ADD \$ 66.00



LC Style



SC Style

ORDERING INFORMATION

M C 3 6 6 8 0 0 9 9

Option A

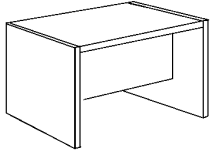
Option B

Laminate Options (see pg. 4)

VIKING MODULAR SOLUTIONS

SERIES DESCRIPTION	CATALOG NO.	OPTION/FINISH	W" x D" x H"	PRICE
--------------------	-------------	---------------	--------------	-------

SIDE TABLES



Panel end side tables.

TS2432-	00 -		24x24x20	\$ 219.00
TS3032-	00 -		30x24x20	\$ 252.00

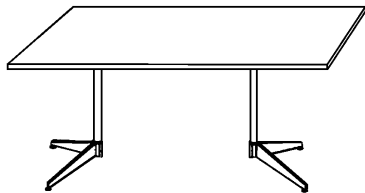
ROUND TABLES



Round laminate tops with chrome base.

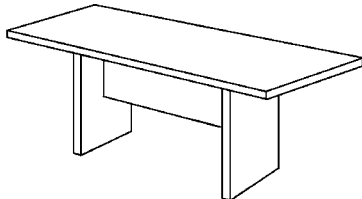
CT3619-	00 - C		36x29	\$ 330.00
CT4219-	00 - C		42x29	\$ 352.00
CT4819-	00 - C		48x29	\$ 374.00
CT6019-	00 - C		60x29	\$ 407.00

RECTANGULAR TABLES



Rectangular laminate tops with chrome base.

CT6049-	00 - C		60x30x29	\$ 485.00
CT7249-	00 - C		72x30x29	\$ 529.00
CT6059-	00 - C		60x36x29	\$ 551.00
CT7259-	00 - C		72x36x29	\$ 596.00



Rectangular laminate top and support base.

CS6049-	00 -		60x30x29	\$ 551.00
CS7249-	00 -		72x30x29	\$ 596.00
CS6059-	00 -		60x36x29	\$ 617.00
CS7259-	00 -		72x36x29	\$ 661.00
CS8459-	00 -		84x36x29	\$ 706.00
CS8469-	00 -		84x42x29	\$ 772.00
CS9669-	00 -		96x42x29	\$ 816.00



Boat shaped laminate top and support base.

BS7259-	00 -		72x36x29	\$ 661.00
BS8459-	00 -		84x36x29	\$ 706.00
BS8469-	00 -		84x42x29	\$ 772.00
BS9669-	00 -		96x42x29	\$ 816.00

ORDERING INFORMATION

C | S | 7 | 2 | 4 | 9 | 0 | 0 | 9 | 9

Option A

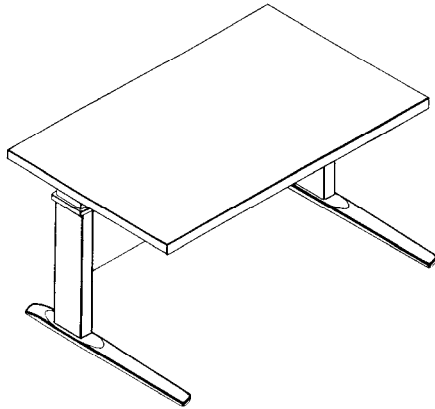
Option B

Laminate Options (see pg. 4)

VIKING MODULAR SOLUTIONS

SERIES DESCRIPTION	CATALOG NO.	OPTION/FINISH	W" x D" x H"	PRICE
--------------------	-------------	---------------	--------------	-------

SINGLE SURFACE ADJUSTABLE TABLES



Single Surface tables come complete with electrically adjustable black metal base and laminate work surface. Electrical adjustment from 26 1/2" to 40 1/2". Work surface will adjust loads up to 200 lbs. Custom shapes and sizes are available.

30" DEEP TABLES

SLE3030 - - -	30" wide x 30" deep.....	\$ 1158.00
SLE3630 - - -	36" wide x 30" deep.....	\$ 1213.00
SLE4830 - - -	48" wide x 30" deep.....	\$ 1323.00
SLE6030 - - -	60" wide x 30" deep.....	\$ 1433.00

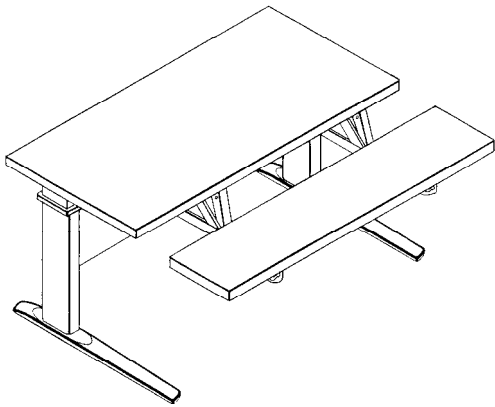
36" DEEP TABLES

SLE3036 - - -	30" wide x 36" deep.....	\$ 1213.00
SLE3636 - - -	36" wide x 36" deep.....	\$ 1268.00
SLE4836 - - -	48" wide x 36" deep.....	\$ 1378.00
SLE6036 - - -	60" wide x 36" deep.....	\$ 1488.00

CORNER TABLES

SLE4242 - - -	42" x 42" x 30" deep.....	\$ 1323.00
SLE4848 - - -	48" x 48" x 30" deep.....	\$ 1433.00

DUAL SURFACE ADJUSTABLE TABLES



Dual Surface tables utilizing a spring assisted counter balanced mechanism with a release paddle for the keyboard surface and comes complete with black metal base and laminate work surface. Rear Surface electrically adjustable from 26 1/2" to 40 1/2". Front surface range combined with rear giving an effective range of 21" to 47.5" (7" above, 5 3/4" below), ideal for sit-stand applications. Front surface 12" deep and rear surface 24" deep.

36" DEEP WORKSURFACES

DLE3036 - - -	30" wide x 36" deep.....	\$ 1598.00
DLE3636 - - -	36" wide x 36" deep.....	\$ 1654.00
DLE4836 - - -	48" wide x 36" deep.....	\$ 1764.00
DLE6036 - - -	60" wide x 36" deep.....	\$ 1874.00

OPTIONS A: Height

S- 200 lb. Standard Electric Adjustment Standard

ORDERING INFORMATION

S | L | E | 4 | 8 | 3 | 0 | S | 9

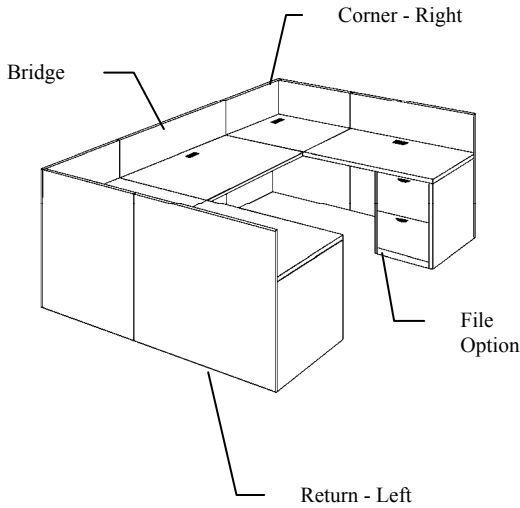
Option A

Option B
Laminate Options

VIKING MODULAR SOLUTIONS

SERIES DESCRIPTION	CATALOG NO.	OPTION/FINISH	W" x D" x H"	PRICE
--------------------	-------------	---------------	--------------	-------

RECEPTION DESKS



Desk units feature 42" high modesty panels to accommodate counter tops. Order two corner units to provide a 60" x 30" reception desk, add a bridge to widen the desk from 96" to 108", add returns to the corner units in right or left to create an "L" or "U" shaped reception station as shown.

XLC30-	00 -		30x30x29 Corner Unit Left..	\$ 518.00
XRC30-	00 -		30x30x29 Corner Unit Right	\$ 518.00
XB3649-	00 -		36x30x29 Bridge Unit.....	\$ 386.00
XB4249-	00 -		42x30x29 Bridge Unit.....	\$ 408.00
XB4849-	00 -		48x30x29 Bridge Unit.....	\$ 430.00
XR3639-	00 -		36x24x29 Right Return.....	\$ 430.00
XR4239-	00 -		42x24x29 Right Return.....	\$ 452.00
XR4839-	00 -		48x24x29 Right Return.....	\$ 474.00
XR5439-	00 -		54x24x29 Right Return.....	\$ 496.00
XR6039-	00 -		60x24x29 Right Return.....	\$ 518.00
XR3649-	00 -		36x30x29 Right Return.....	\$ 474.00
XR4249-	00 -		42x30x29 Right Return.....	\$ 496.00
XR4849-	00 -		48x30x29 Right Return.....	\$ 518.00
XR5449-	00 -		54x30x29 Right Return.....	\$ 541.00
XR6049-	00 -		60x30x29 Right Return.....	\$ 562.00

OPTIONS A: Available on Returns Only

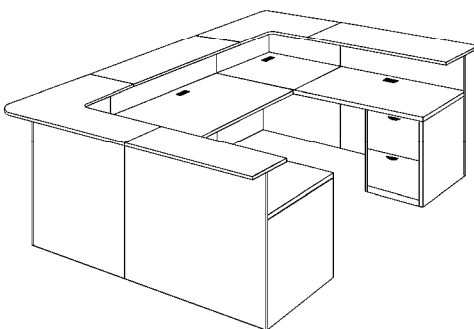
K - Box/Box/File	ADD.....	\$ 419.00
M - File/File	ADD.....	\$ 396.00

NOTE: Pencil Drawer Center - (Order separately page 34)

OPTIONS B:

0 - None	Standard
3 - Locks	ADD.....	\$ 60.00

TRANSACTION COUNTER TOPS



Mount onto the modesty panels of the reception desk components above.

XT3030-	00 -		30x30x16	\$ 231.00
Corner counter top for either the left or right corner units.				
XT3616-	00 -		36x16	\$ 121.00
XT4216-	00 -		42x16	\$ 138.00
XT4816-	00 -		48x16	\$ 155.00
XT5416-	00 -		54x16	\$ 171.00
XT6016-	00 -		60x16	\$ 188.00

Straight counter tops attach to the bridges and returns.

ORDERING INFORMATION

X R 5 4 3 9 0 0 9 9

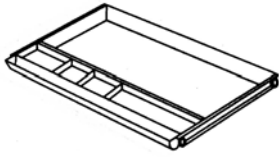
Option A

Option B

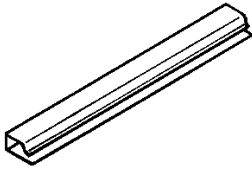
Laminate Options (see pg. 4)

FURNITURE ACCESSORIES

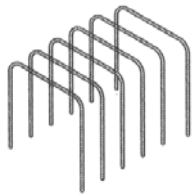
These items may be used in conjunction with the furniture products.



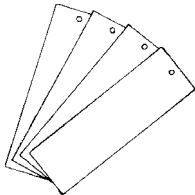
5003	PENCIL DRAWER	\$ 109.00
5003L	PENCIL DRAWER with/LOCK	\$ 131.00



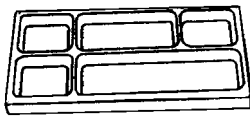
3045	RACEWAY CHANNEL (6 – 24” pieces)	\$ 66.00
------	----------------------------------------	----------



3050	WIRE DIVIDERS (6 each)	\$ 38.00
------	------------------------------	----------



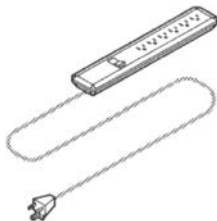
3055	BOX DRAWER DIVIDERS (Set of 4)	\$ 38.00
------	--------------------------------------	----------



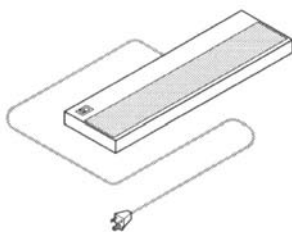
3056	PENCIL/CONVENIENCE TRAY	\$ 28.00
------	-------------------------------	----------



3058	HANGING BARS/FRONT TO BACK (2 ea.)	\$ 28.00
------	-------------------------------------------	----------



PM-H3	SURGE SUPPRESSOR (Six outlets)	\$ 33.00
-------	--------------------------------------	----------



3070-24	TASK LIGHT (For 30”, 36” & Corner Overheads)	\$ 154.00
3070-36	TASK LIGHT (For 42” & larger Overheads).....	\$ 154.00
3070-48	TASK LIGHT (For 60” & larger Overheads).....	\$ 154.00

ERGONOMIC ACCESSORIES

A partial list of the products available from our Ergonomic Accessories catalog. Please refer to that catalog for the complete listing of options.



VCPU-3 Vertical CPU Holder (under desk) \$ 127.00



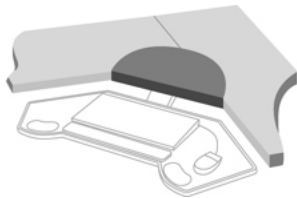
FT-100 Footrest, 3" Adjustable..... \$ 47.00

FT-200 Footrest, 6" Adjustable..... \$ 57.00



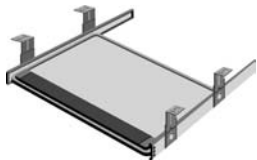
MTR-250 Single Monitor Arm \$ 230.00

MTR-500 Dual Monitor Arm (shown)..... \$ 288.00



GTY-100 Geometray \$ 82.00

(Slides onto a 90° inside corner creating an angled corner)



FH-3 Under Desk Keyboard Tray \$ 92.00



CM01-P Lever-lock Mechanism with 22" Platform \$ 278.00

(Ball-bearing track, Rotates 360°, height & tilt adj., soft touch platform & wrist rest).

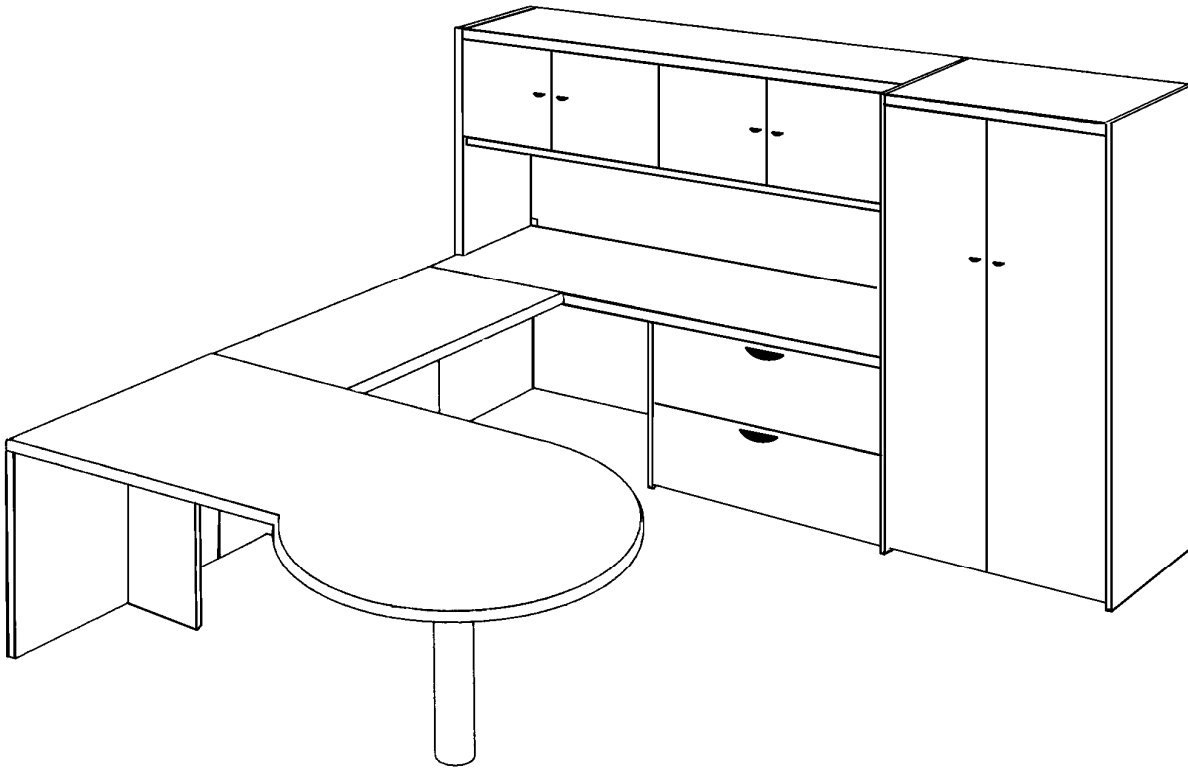


CM01-S Lever-lock Mechanism/22" Platform \$ 336.00

(Ball-bearing track, Rotates 360°, height & tilt adj., soft touch platform & wrist rest with sliding mouse tray).

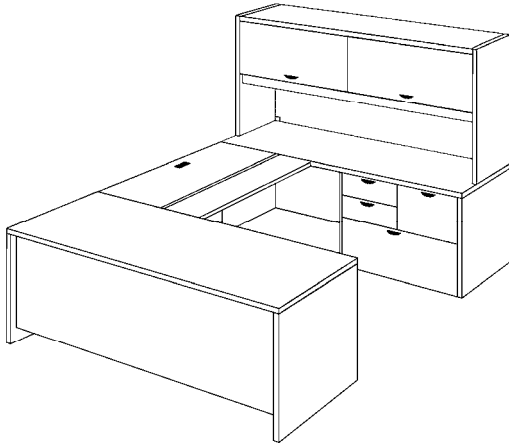
COVER PAGE WORKSTATION

(As Pictured in Modular Solutions Brochure)



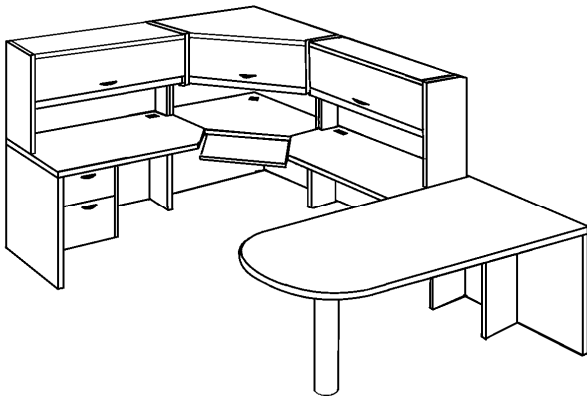
<u>CATALOG NUMBER</u>	<u>DESCRIPTION</u>	<u>QTY & LIST PRICE</u>
QR7249-00-P9	"P" Shaped Table-Right Finish: Terra Patina/Maple	1 @\$ 629.00
BU4239-00-P9	Bridge Unit Finish: Terra Patina/Maple	1 @\$ 341.00
SR7239-P0-P9	Single Pedestal Unit Finish: Terra Patina/Maple	1 @\$ 1056.00
OH72D6-00-99	Overhead Storage Finish: Maple	1 @\$ 706.00
WC36C8-00-99	Wardrobe/Storage Cabinet Finish: Maple	1@\$ 706.00
	TOTAL LIST PRICE\$ 3,438.00

PAGE 3 RECTANGULAR UNIT WORKSTATION



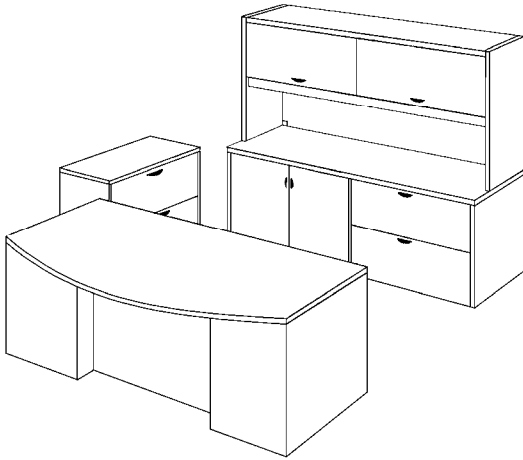
<u>CATALOG NUMBER</u>	<u>DESCRIPTION</u>	<u>QTY& LIST PRICE</u>
WX7249-00-T0	Work Table Finish: Charcoal Fusion/Black	1 @.....\$ 606.00
BS4849-01-T0	Bridge Split Unit Finish: Charcoal Fusion/Black	1 @.....\$ 749.00
SR7239-N0-T0	Single Pedestal Table Finish: Charcoal Fusion/Black	1 @.....\$ 1058.00
OH72F9-00-00	Overhead Cabinet Finish: Black	1 @.....\$ 827.00
3078-48	Task Light	1@.....\$ 154.00
TOTAL LIST PRICE	\$ 3,394.00

PAGE 4 CORNER WORKSTATION/TABLE



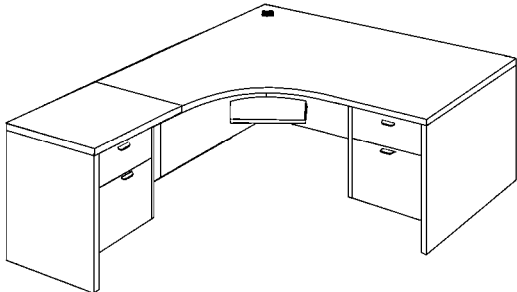
<u>CATALOG NUMBER</u>	<u>DESCRIPTION</u>	<u>QTY& LIST PRICE</u>
KU4269-00-D5	Corner/Keyboard Finish: Opal Impression/Stonedust	1 @.....\$ 904.00
ER3649-00-D5	Corner Extension Finish: Opal Impression/Stonedust	1 @.....\$ 474.00
EL3649-L0-D5	Corner Extension Finish: Opal Impression/Stonedust	1 @.....\$ 827.00
PT7249-00-D5	Peninsula Table Finish: Opal Impression/Stonedust	1 @.....\$ 606.00
OH36F6-20-55	Overhead Cabinet Finish: Stonedust	1@.....\$ 661.00
OH36F6-10-55	Overhead Cabinet Finish: Stonedust	1@.....\$ 661.00
OC42F6-30-55	Overhead Cabinet Finish: Stonedust	1@.....\$ 860.00
TOTAL LIST PRICE	\$ 4,993.00

PAGE 5 EXECUTIVE OFFICE WORKSTATION



<u>CATALOG NUMBER</u>	<u>DESCRIPTION</u>	<u>QTY& LIST PRICE</u>
BM7259-A0-44 Finish: Mahogany/Mahogany	Bow Desk	1 @ ...\$ 1,499.00
CD6629-G0-44 Finish: Mahogany/Mahogany	Credenza	1 @ ...\$ 1,455.00
OH66F9-00-44 Finish: Mahogany/Mahogany	Overhead Cabinet	1 @ ...\$ 805.00
LF3422-00-44 Finish: Mahogany/Mahogany	Lateral File	1 @ ...\$ 749.00
TOTAL LIST PRICE	\$ 4,508.00

PAGE 6 WORKSTATION SPECIFICATION



<u>CATALOG NUMBER</u>	<u>DESCRIPTION</u>	<u>QTY& LIST PRICE</u>
YR7264-L0-D5 Finish: Opal Impression/Stonedust	Curved Table Unit	1 @.....\$ 1,125.00
RL3039-L0-D5 Finish: Opal Impression/Stonedust	Return Table	1 @.....\$ 717.00
AM-15/P18 Finish: Opal Impression/Stonedust	Curved Keyboard Tray	1@.....\$ 196.00
TOTAL LIST PRICE	\$ 2,038.00

VIKING

Viking Acoustical Corporation
21480 Heath Avenue, Lakeville, MN 55044
1-800-328-8385
Phone: 952-469-3405 Fax: 952-469-4503